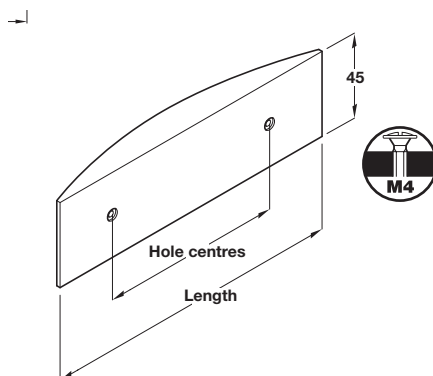




Unless otherwise indicated fixing screws are not included and must be ordered separately. The logo shown indicates the type of screw required; fixing screws are shown on page 117.



Discontinued ●
Discontinued when stock = 0 +

A Pull handle, 96/128 mm hole centres

- Wood clear lacquered

Finish	Hole centres	Length	Cat. No.
Maple	96 mm	160 mm	● 192.08.101
Ash	128 mm	210 mm	192.08.502

Order qty: 1 pc



Oak finish

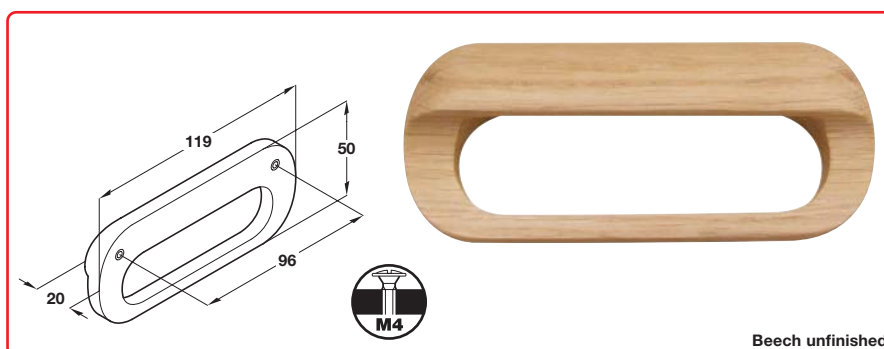
Item C.
Illustration and photo amended

C Lay on handle, 96 mm hole centres

- Unfinished wood

Type of wood	Cat. No.
Oak	192.57.400
Beech	192.57.302

Order qty: 1 pc



Beech unfinished

We reserve the right to alter specifications without notice.

Dimensions in mm