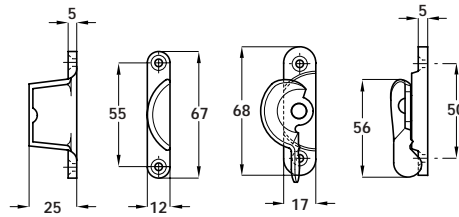


### A Sash fastener, fitch pattern

- Fixing screws included
- Brass

Finish	Cat. No.
Polished brass	970.00.758
Satin nickel plated	970.00.756
Polished chrome plated	970.00.752

Packing: 1 pc

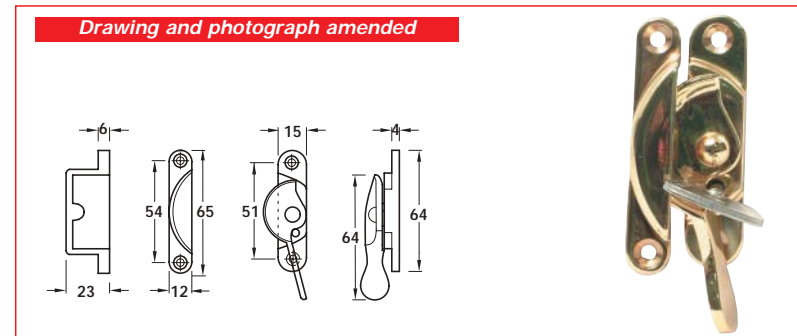


### B Sash fastener, fitch pattern, lockable

- Key included
- Fixing screws included
- Brass

Finish	Cat. No.
Polished brass	970.00.768
Satin nickel plated	970.00.766
Polished chrome plated	970.00.762

Packing: 1 pc



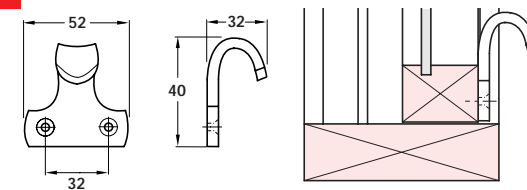
**Item C.**  
Catalogue shows 60 mm  
Correct dimension is  
50 mm

### C Sash lift, 50 mm

- Fixing screws included
- Brass

Finish	Cat. No.
Polished brass	900.17.996
Satin nickel plated	970.02.306
Polished chrome plated	970.02.302

Packing: 1 pc

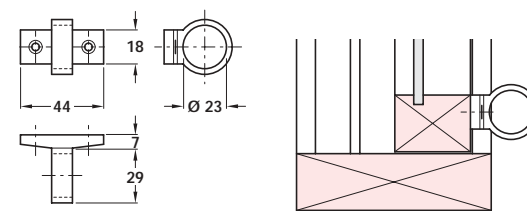


### D Sash lift, ring, face fixing

- Fixing screws included
- Brass

Finish	Cat. No.
Polished brass	970.02.318
Satin nickel plated	970.02.316
Polished chrome plated	970.02.312

Packing: 1 pc

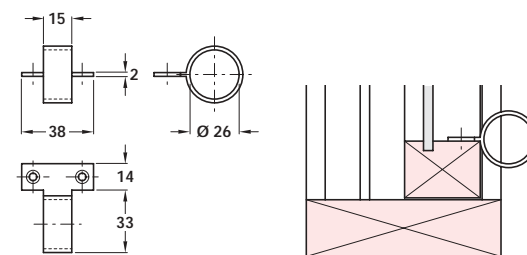


### E Sash lift, ring, side fixing

- Fixing screws included
- Brass

Finish	Cat. No.
Polished brass	970.02.328
Satin nickel plated	970.02.326
Polished chrome plated	970.02.322

Packing: 1 pc



Dimensions in mm

We reserve the right to alter specifications without notice.