

• For signage associated with panic exit devices, please refer to page 7 onwards

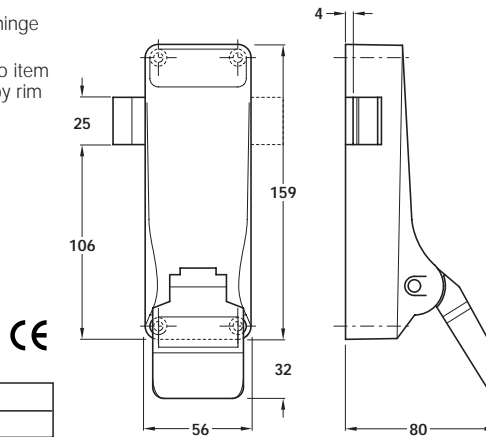
• **Note:** We strongly recommend the use of hinge bolts or security hinges with panic bolts
For an outside access device, please refer to item **B** below. May also be operated externally by rim cylinder; refer to Section 2 pages 58-59.

A Push pad panic latch

- For use on single doors
- Unhanded
- Exit only
- Conforms to BS EN 179
- Aluminium
- Other finishes available to order

Finish	Cat. No.
Silver grey	911.52.369

Packing: 1 pc

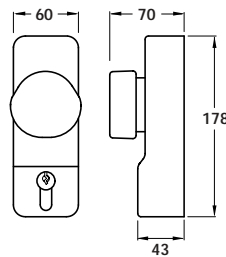


B Outside access device

- For use with panic exit devices
- Suitable for doors up to 70 mm thick
- Unhanded
- Supplied complete with profile cylinder, to differ (can be supplied master keyed to order)
- Diecast aluminium

Finish	Cat. No.
Silver grey	911.52.139
Gold	911.52.138
Black	911.52.133
Colour	To order

Packing: 1 pc

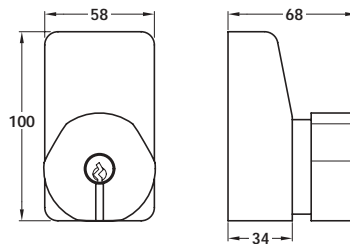


C Outside access device

- For use with panic exit devices
- Unhanded, suitable for doors up to 70 mm thick
- Supplied complete with cylinder, to differ (not available master keyed)
- Supplied with fixings and full fitting instructions
- Diecast aluminium

Finish	Cat. No.
Silver grey	911.54.000

Packing: 1 pc



D Box keeper

- For flush fitting door/frame applications and double rebated doors
- Steel

Finish	Cat. No.
Silver grey	911.52.129
Gold	911.52.128
Satin stainless steel	911.52.120
Polished stainless steel	911.52.121
Polished brass	911.52.125
Colour	To order

Packing: 1 pc

