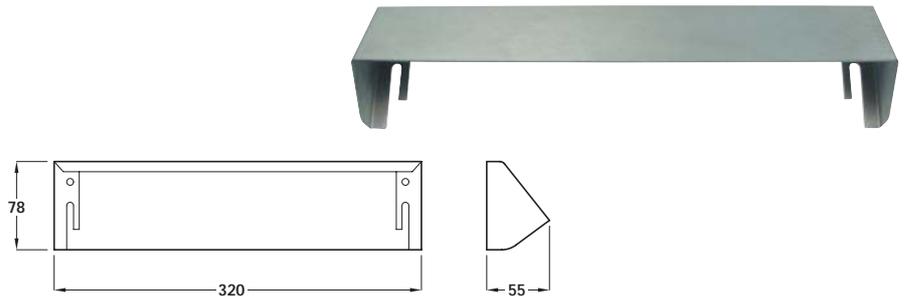


A Security cowl, stainless steel

- Obstructs view from outside
- Prevents manipulation of locks/bolts
- Inhibits attack through letterplate aperture
- Suits items A, B, C and D page 147
- Stainless steel

Finish	Cat. No.
Satin stainless steel	986.07.150
Polished stainless steel	986.07.151

Packing: 1 pc

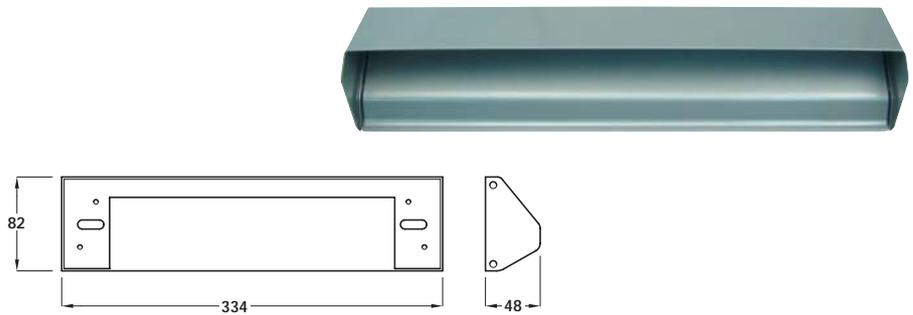


B Security letter tidy with integral hood

- Restricted opening allows access for mail
- Prevents manipulation of locks/bolts
- Fixing screws included
- Steel

Finish	Cat. No.
Silver powder coating	986.07.169
Gold powder coating	986.07.168

Packing: 1 pc



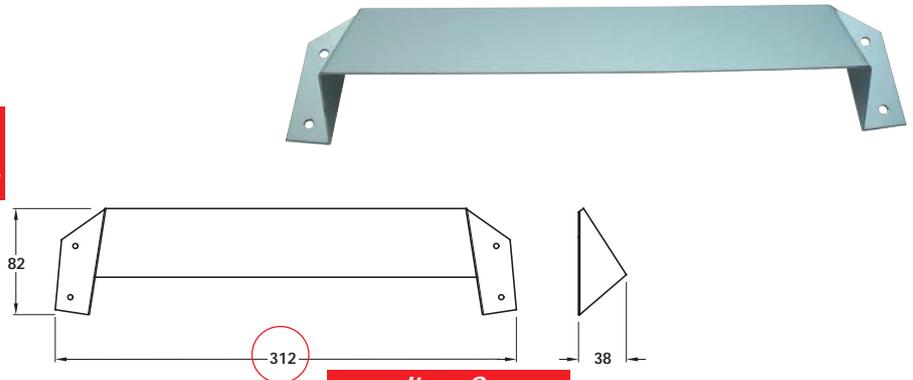
Item F.
Catalogue shows...
'Fixing screws included'
Please note that fixing screws are NOT included

C Security hood, aluminium

- Prevents manipulation of locks/bolts
- Aluminium

Finish	Cat. No.
Satin anodised	911.59.141

Packing: 1 pc



Item C.
Catalogue shows 360 mm
Correct dimension is
312 mm

D Internal security latch

- For use with items A, B, C and D page 147
- Stainless steel

Finish	Cat. No.
Satin stainless steel	986.07.210

Packing: 1 pc



Note: Accessories available to order - security internal post box (locking)