

- Order **Euro profile cylinder** separately, shown on pages 53-60

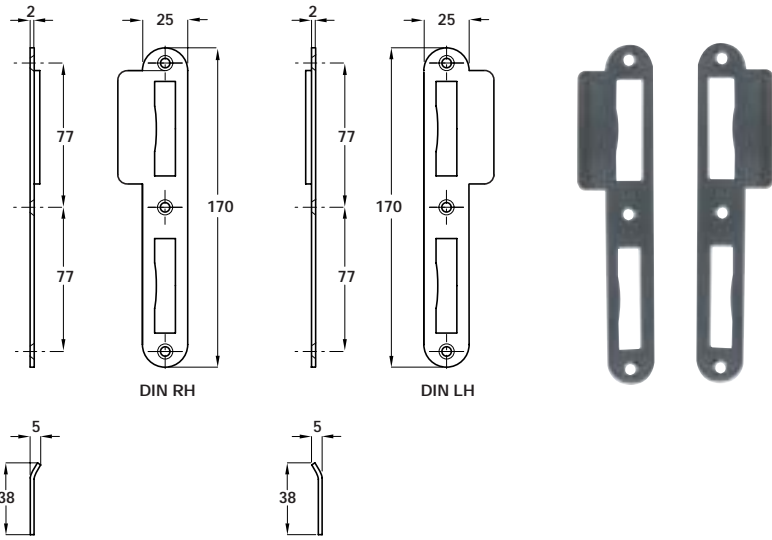
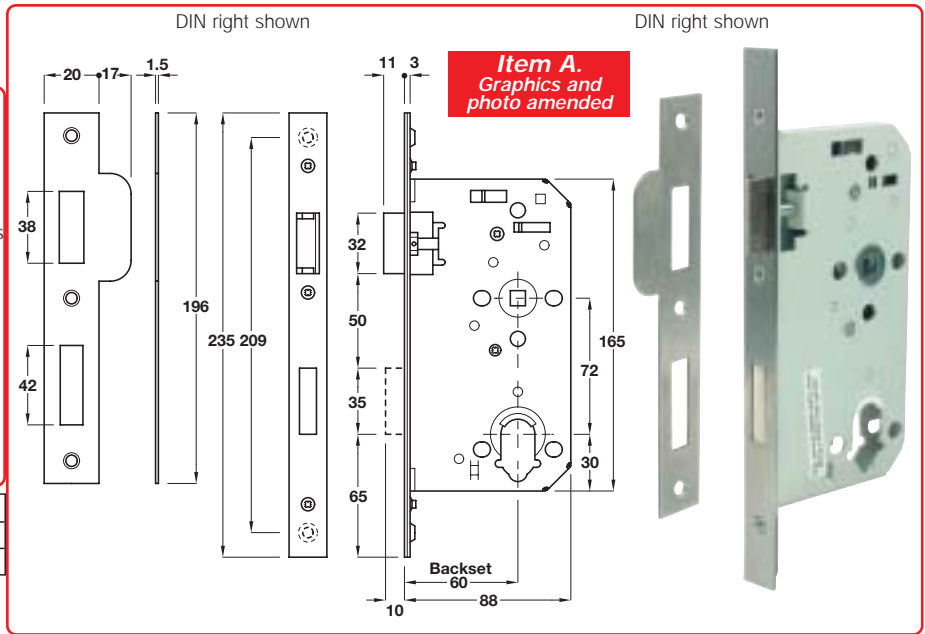
**Item A.**  
Description revised

**A** Mortice cylinder anti-panic lock case

- **Operation:** Latch bolt only operated by lever handle inside together with dead bolt. Dead bolt operated by cylinder outside and lever handle inside
- **Case:** Zinc plated and painted for corrosion resistance
- **Forend:** Square, 2 pieces, stainless steel or brass
- **Strike plate:** Square, flat, included
- **Latchbolt:** Solid steel
- **Handed:** (Please specify)
- **Dead bolt:** Solid steel, 10 mm throw
- **Follower:** 8 mm, for use with unsprung furniture
- **Cylinder:** Profile or oval. All types
- Holed for bolt through furniture at 38 mm centres
- Fixing screws included
- State hand required

Finish	DIN Left hand	DIN Right hand
Stainless steel	911.03.474	911.03.475
Brushed brass	911.03.476	911.03.477

Packing: 1 pc



**B** Strike plate for item A

- **Suitability:** Panic mortice cylinder lock only, item A
- Radius flat type
- **Finish:** Stainless steel
- Hand to be specified. See diagram above right

Finish	Cat. No.	
	DIN LH	DIN RH
Satin stainless steel	911.39.007	911.39.008
Polished brass	911.39.009	-

Order qty: 1 pc

**Re-instated**

**DIN handing for locks and hinges manufactured in Europe**

Although the ISO method of handing using 'closing' of door direction figures 5 or 6 will gradually be in universal use throughout the European Union, the German DIN system is still encountered. This method is based on **viewing** the hinge knuckle when the door is hung. This side of the door therefore determines the "hand" as illustrated by the sketches below

