

All Standard locks comply with BS 4591/1995 and BS 5872/1995
All standard latch and lock cases have adjustable spring tension

• Order Euro profile cylinders separately, shown on pages 53-60

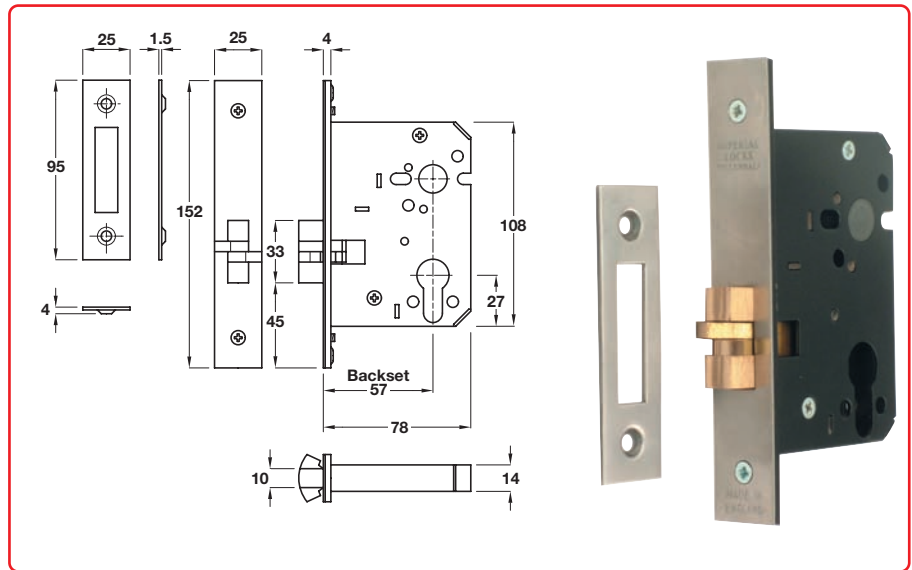
• Rebate sets for this locks are shown on page 15

Discontinued ●

Discontinued when stock = 0 +

B Mortice cylinder claw bolt case

- **Operation:** Claw deadbolt operated by profile cylinder
- **Case:** Black powder coated steel
- **Forend:** Square, 2 piece, stainless steel or brass
- **Strike plate:** Square, flat, included
- **Claw bolt:** Brass, 10 mm throw, operated by profile cylinder from either side
- Claw bolt operated by either euro or oval profile cylinders. Adaptor plate to convert from oval to euro profile operation included.
- Holed for bolt through escutcheons
- Fixing screws included

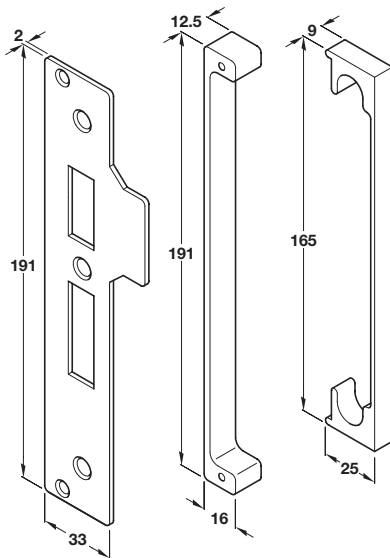


Item A.
Graphics and photo amended

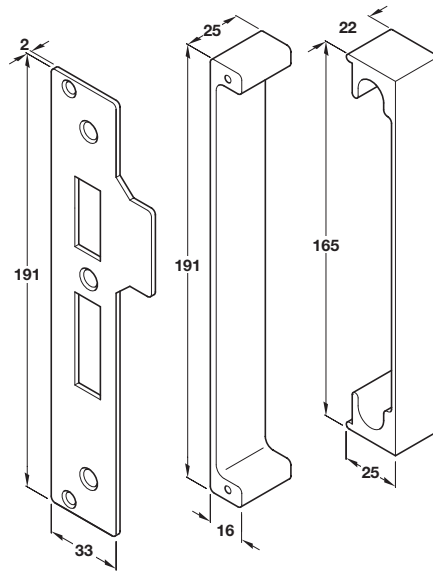
Finish of forend	Cat. No.
Satin stainless steel	911.03.334
Polished brass	911.03.333

Re-instated

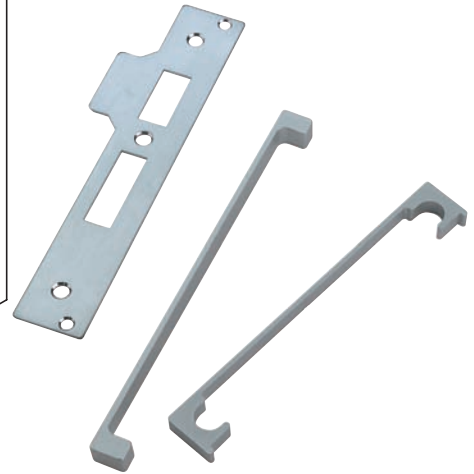
Packing: 1 pc



12.5 mm Rebate conversion kit



25 mm Rebate conversion kit



Lock compatibility

Finish	Cat. No.	Page
Stainless steel	911.03.346	11
	911.03.348	11
	911.03.350	12
Polished brass	911.03.345	11
	911.03.347	11
	911.03.349	12

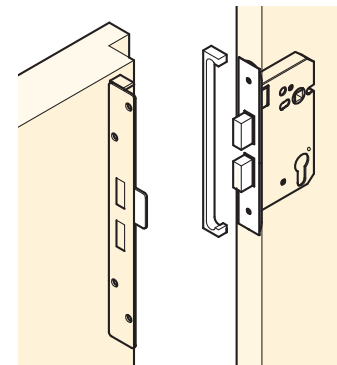
B Rebate set, latch, sash lock and bathroom locks

- **Suitability:** Sash bathroom locks
- Fixing screws included
- Steel with aluminium side guard

Finish	12.5 mm	25 mm
Satin chrome plated	911.39.351	911.39.353
Polished brass	911.39.352	911.39.354

Packing: 1 set

Item B.
Catalogue shows...
'Packing 1 pc'
Correct packing is 1 set



We reserve the right to alter specifications without notice.

Dimensions in mm