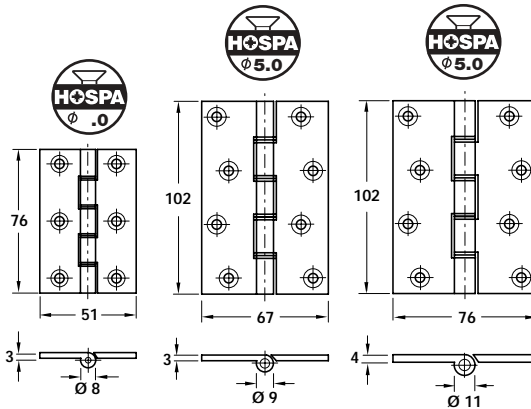


IMPORTANT NOTE:

Unless otherwise indicated fixing screws are not included and must be ordered separately. The logo shown indicates the type and size of screw required.



A Double washed butt hinges

- Phosphor bronze washers with brass pin
- Brass

Length x width	76 x 51 mm	102 x 67 mm	102 x 76 mm
BS EN grade	6	7	10
Polished brass	926.90.058	921.08.050	921.08.042
Polished chrome-plated	926.90.052	926.92.108	926.92.118

Packing: 20 pcs



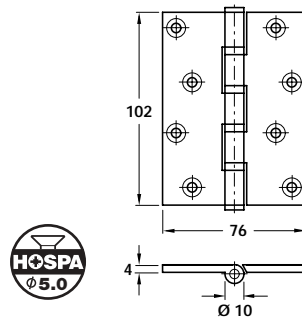
Alpha brass, suitable for 30 minute fire door applications

B Brass ball bearing butt hinge

- Button tipped
- With stainless steel pin and steel ball bearings to each joint
- Brass

Length x width	102 x 76 mm
Polished brass	921.08.540

Packing: 20 pcs



Alpha brass, suitable for 30 minute fire door applications

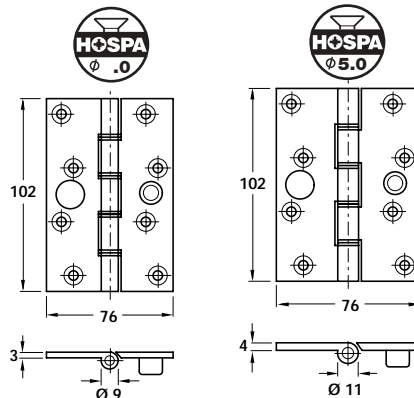
C Security butt hinges

- For outward opening external doors
- With rotating steel dog bolt, brass pin and double phosphor bronze washers
- In the event of attempted illicit entry by cutting off the exposed hinge barrel, the engaged dog bolt will prevent the removal of the door

* Brass, self colour

Length x width	102 x 67 mm	102 x 76 mm
Self colour	921.08.550	921.08.560

Packing: 10 pcs

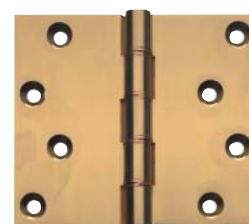
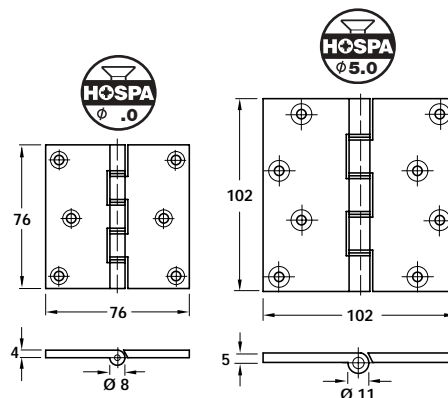


D Brass projecting butt hinges, DPBW

- With brass pin
- Double phosphor bronze washers
- Brass

Length x width	76 x 76 mm	102 x 102 mm
Max. clearance	28 mm	44 mm
Max. adj. weight	20 kg	40 kg
Self colour	921.08.601	921.08.061
Polished brass	921.08.600	921.08.060
Satin chrome	921.08.604	921.08.064

Packing: 10 pcs



Dimensions in mm

We reserve the right to alter specifications without notice.