



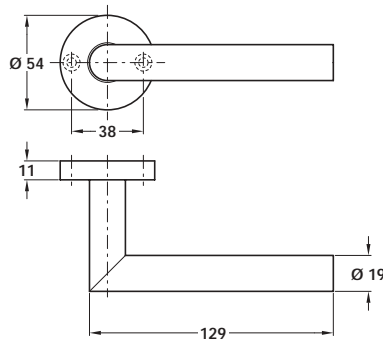
**Items A-C.**  
Text amended Cat. shows 35-54 mm  
Text should read 40-54 mm

**A** Ø 19 mm straight lever handles

- Pair of lever handles
- Grub screw fixing on 8 mm special square spindle
- Pair of concealed fixing roses
- **Sprung**, for use with **heavy duty** followers
- Fixing screws included
- To suit doors **40-54 mm thick**
- 316 stainless steel
- Matching escutcheons available, see page 161

Finish	Cat. No.
Satin stainless steel	902.21.010

Packing: 1 pair



Satin stainless steel finish



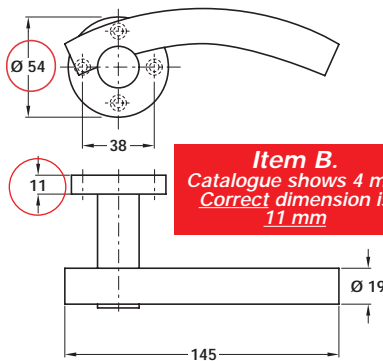
**B** MONT BLANC II Ø 19 mm lever handles

- Pair of lever handles
- Grub screw fixing on 8 mm special square spindle
- Pair of concealed fixing roses
- **Unsprung**, for use with **heavy duty** followers
- Fixing screws included
- To suit doors **40-54 mm thick**
- 316 stainless steel
- Matching escutcheons available, see page 161

Finish	Cat. No.
Satin stainless steel	902.21.006
Polished stainless steel	902.21.007

Packing: 1 pair

**Item B.**  
Catalogue shows Ø 52 mm  
Correct dimension is Ø 54 mm



Satin stainless steel finish

Photograph has been amended



**Item B.**  
Catalogue shows 4 mm  
Correct dimension is 11 mm

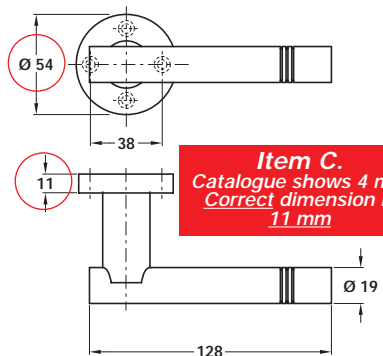
**C** APPALACHIAN Ø 19 mm lever handles

- Pair of lever handles
- Grub screw fixing on 8 mm special square spindle
- Pair of concealed fixing roses
- **Unsprung**, for use with **heavy duty** followers
- Fixing screws included
- To suit doors **40-54 mm thick**
- 316 stainless steel
- Matching escutcheons available, see page 161

Finish	Cat. No.
Satin stainless steel	902.21.008
Polished stainless steel	902.21.009

Packing: 1 pair

**Item C.**  
Catalogue shows Ø 52 mm  
Correct dimension is Ø 54 mm



Satin stainless steel finish

Photograph has been amended



**Item C.**  
Catalogue shows 4 mm  
Correct dimension is 11 mm