

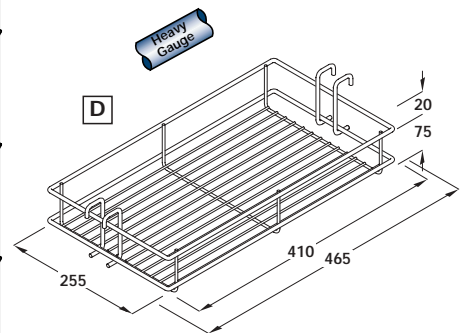
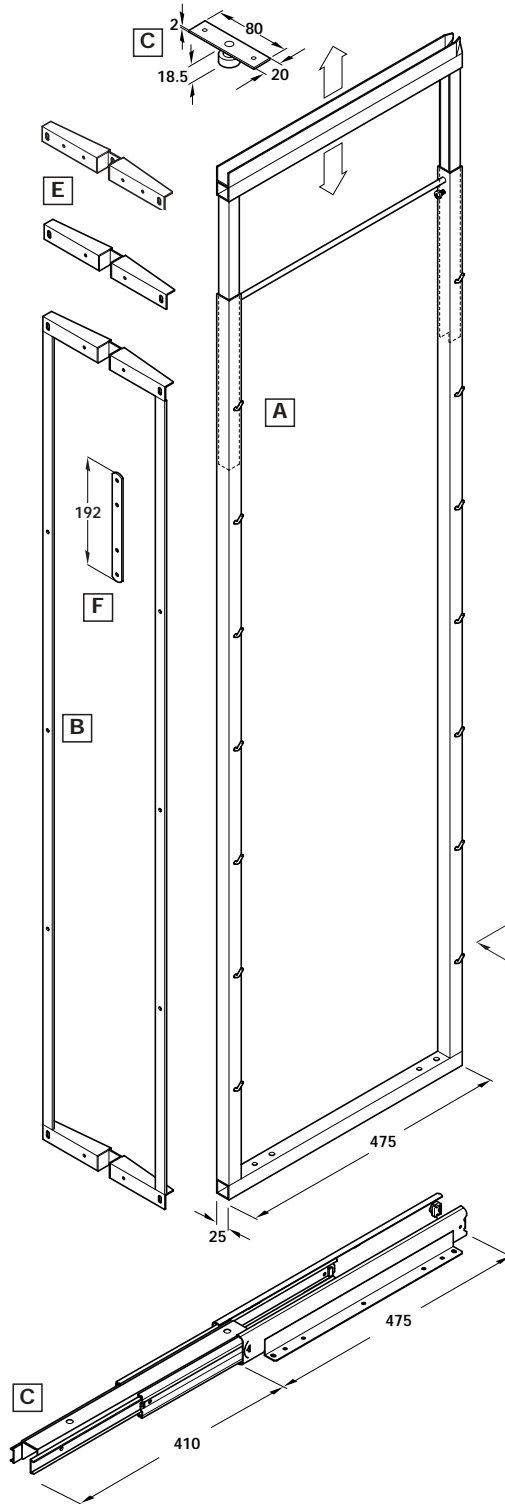
Centre Mounting Larder Unit, Height Adjustable

HÄFELE

Order Online at www.hafele.co.uk

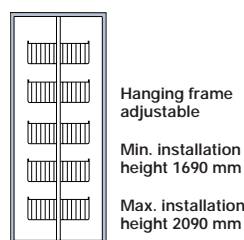
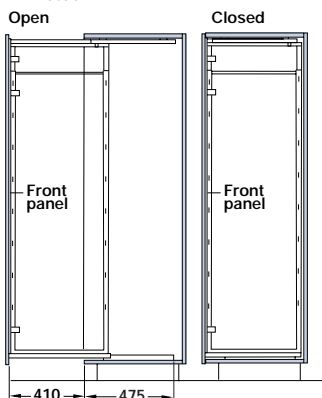
Dimensions in mm

Discontinued ●
Discontinued when stock = 0 +



- Larder unit, centre mounting
- Built in depth 480 mm, cabinet width 300 mm, installed height adjustable from 1690-2090 mm
- Every set comes complete with bottom runner, top guide, centre frame, door mounting frame, crossbars, baskets, fixing materials and fitting instructions

- A Hanging frame**, silver epoxy coated tubular steel, 25 x 25 mm, with mounting accessories. Installation height adjustable from 1690 mm to 2090 mm
- B Door hanging frame**, silver epoxy coated steel
- C Ball bearing runner and top roller guide**, silver epoxy coated steel, load carrying capacity 100 kg. The top guide must be fixed under the top panel or shelf, the runner is base mounted.
- D Storage basket**, 260 mm wide, heavier gauge chrome-plated steel. Specially shaped to hang centrally in a 300 mm wide unit
- E Crossbars**, to fix cabinet doors to larder units, silver epoxy coated steel
- F Door connecting strips**, silver epoxy coated steel



Larder unit, installed height 1690-2090 mm

For cabinet unit width 300 mm	
A Frame	1 pc
B Door hanging frame	1 pc
C Runner and guide	1 pc
D Storage basket, 260 mm	5 pcs
E Crossbar	2 pcs
F Door connecting strip	2 pcs
Finish	Cat. No.
Chrome	+ 546.21.230

Packing: 1 set

24.08.06/1

We reserve the right to alter specifications without notice.

8

Pull Out Storage Units