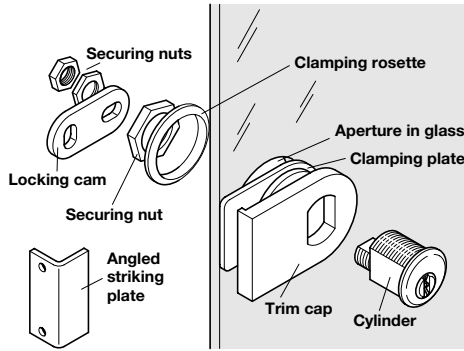
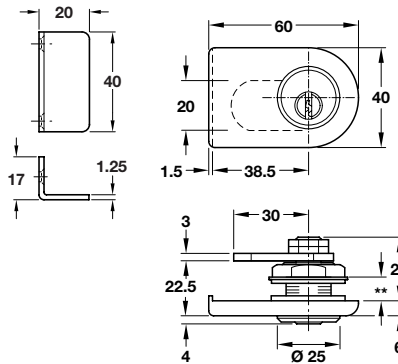


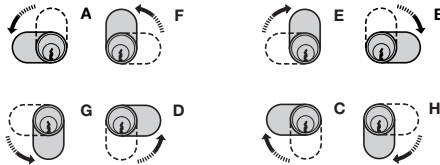
# Glass Door Locks for Hinged Doors



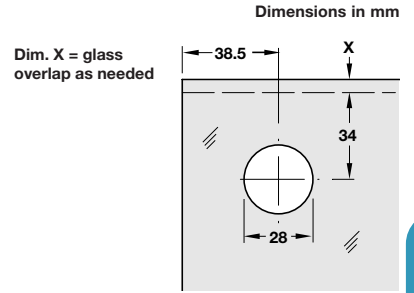
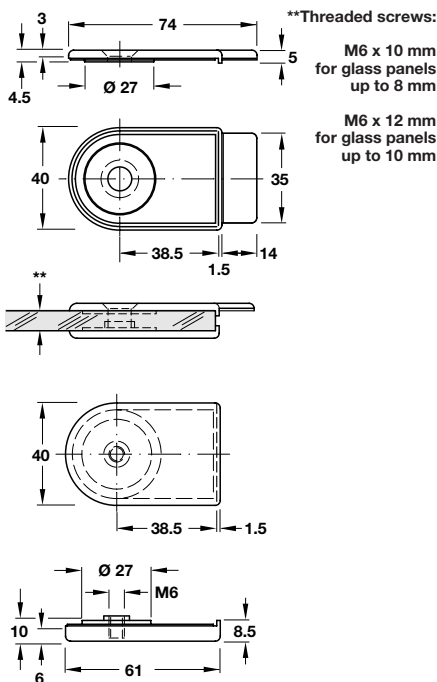
- **A Glass door cylinder lever locks**
- With nut attachment
- For glass panels from **4 to 10 mm\*\***
- Closure travel **90°**
- **With key trap**; key can only be removed in locked position
- **5 pairs of pin tumblers** = 20,000 possible key changes
- Nickel-plated or gold coloured zinc alloy trim cap
- Nickel-plated or polished brass cylinder
- **Accessories:** 2 keys, 1 plastic clamping plate and 1 clamping rosette, 1 locking cam, 3 nuts, 1 angled steel striking plate
- **\*Master key and general master key systems:** Please discuss with our sales staff before ordering, state closure direction, finish and suiting of locks required



- **\*90° Closure direction:**
- **Closure directions** can be altered by re-positioning the cam, but always moving in the same direction:  
 Closure direction **A** can be altered to **D, F or G**  
 Closure direction **B** can be altered to **C, E or H**



- **B Trim cap and closure plates**
- For use on double doors, opposite the lock
- For glass panels from **4 to 10 mm\*\***
- Use on left or right hand door
- Nickel-plated or gold coloured zinc alloy
- **Accessories:** 2 M6 threaded screws, 2 plastic clamping plates and 1 clamping element



## A Glass door cylinder lever locks

### Random key changes

<b>Closure direction</b>		<b>A</b>
Finish	90° <b>A (D,F,G)</b>	90° <b>B (C,E,H)</b>
Matt nickel-plated	233.30.609	233.30.654
Pol. brass plated	● <del>233.30.805</del>	● <del>233.30.850</del>

**Keyed alike:** Key change H1

<b>Closure direction</b>		<b>A</b>
Finish	90° <b>A (D,F,G)</b>	90° <b>B (C,E,H)</b>
Matt nickel-plated	233.30.618	233.30.663
Pol. brass plated	● <del>233.30.814</del>	233.30.869

Packing: 1 pc

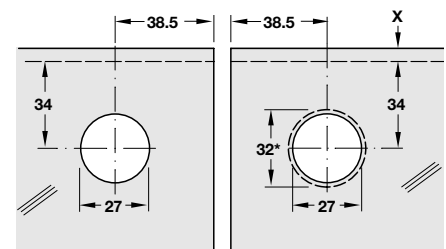
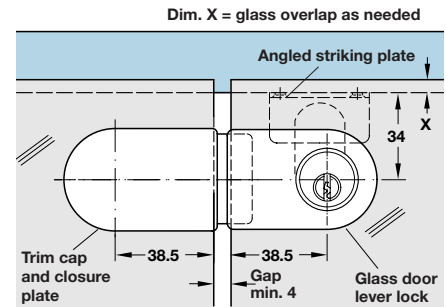
### With master key system:\*

Finish	Cat. No.
Matt nickel plated	● <del>233.30.693</del>
Polished brass plated	233.30.898

### With general master key system:\*

Finish	Cat. No.
Matt nickel plated	● <del>233.30.699</del>
Polished brass plated	233.30.899

**Discontinued** ●  
**Discontinued when stock = 0** +



\*32 mm hole for glass door lever lock with architectural cylinder

## B Trim cap and closure plates

Finish	Cat. No.
Matt nickel-plated	233.39.602
Polished brass plated	233.39.808

Packing: 1 pc