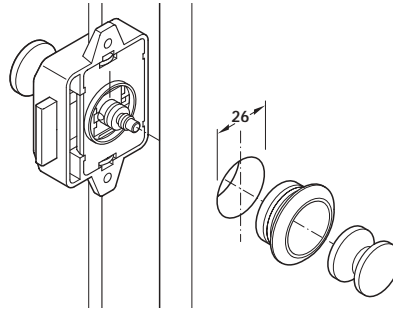


Push-Lock Knobs and Rosettes

Order Online at www.hafele.co.uk

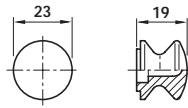
Dimensions in mm

- **Push-Lock knobs and rosettes** can be purchased to suit particular door thicknesses
- If a rim lock with two spindles is used, for opening the door from both sides, order 2 knobs and 1 rosette
- With a two spindle lock, the push knob on the front of the door closes almost flush to the door but a knob used at the back of the lock, on the second spindle, never closes flush to the lock case or door



Matt gold finish shown

- **A Push-Lock knobs, 19 mm**
- For 13, 16 and 19 mm door thicknesses
- Plastic
- Order rosette separately



A Push-Lock knobs for 13, 16 and 19 mm door thicknesses

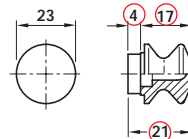
Finish	Cat. No.
Matt nickel	229.01.677
Polished brass	229.01.873
Matt gold	229.01.971
White	229.00.796
Brown	229.00.198
Light grey	229.00.581
Dark grey	229.00.590
Black	229.00.652

Packing: 10 pcs



Polished brass finish shown

- **B Push-Lock knobs, 25 mm**
- For 22 and 25 mm door thicknesses
- Plastic
- Order rosette separately



Item B.
Catalogue shows 6 mm
Correct dimension is 4 mm

Item B.
Catalogue shows 19 mm
Correct dimension is 17 mm

Item B.
Catalogue shows 25 mm
Correct dimension is 21 mm

B Push-Lock knobs for 22 and 25 mm door thicknesses

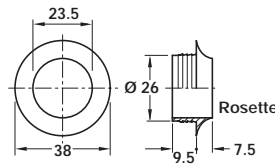
Finish	Cat. No.
Matt nickel	229.01.690
Polished brass	229.01.890

Packing: 10 pcs



Brown finish shown

- **C Push-Lock rosettes**
- For 13 mm door thickness when used with 19 mm Push-Lock knob **A**
- Plastic



C Push-Lock rosettes for 13 mm door thickness

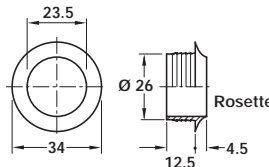
Finish	Cat. No.
Matt nickel	229.03.608
Polished brass	229.03.804
White	229.02.709
Brown	229.02.101
Dark grey	229.02.503

Packing: 10 pcs



Dark grey finish shown

- **D Push-Lock rosettes**
- For 16 mm door thickness when used with 19 mm Push-Lock knob **A**
- For 22 mm door thickness when used with 25 mm Push-Lock knob **B**
- Plastic



D Push-Lock rosettes for 16 and 22 mm door thicknesses

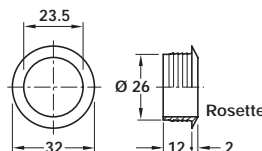
Finish	Cat. No.
Matt nickel	229.03.617
Polished brass	229.03.813
Matt gold	229.03.939
White	229.02.718
Brown	229.02.110
Light grey	229.02.567
Dark grey	229.02.512
Black	229.02.665

Packing: 10 pcs



Matt nickel finish shown

- **E Push-Lock rosettes**
- For 19 mm door thickness when used with 19 mm Push-Lock knob **A**
- For 25 mm door thickness when used with 25 mm Push-Lock knob **B**
- Plastic



E Push-Lock rosettes for 19 and 25 mm door thicknesses

Finish	Cat. No.
Matt nickel	229.03.626
Polished brass	229.03.822
Matt gold	229.03.948
White	229.02.727
Brown	229.02.129
Light grey	229.02.576
Dark grey	229.02.521

Packing: 10 pcs