

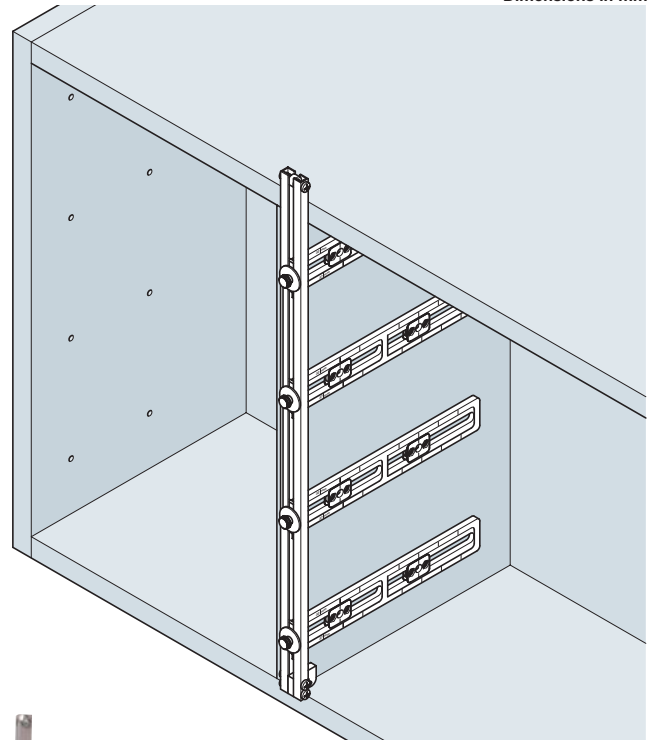
Adjustable Line Boring Jig and Drawer Guide Locating Tool

HÄFELE

Dimensions in mm

Discontinued ●

Discontinued when stock = 0 +



13

Jigs, Boring and Installation Tools

B Drawer guide locating tool

- For installing runners before or after cabinet assembly
- Locates pilot holes for most brands of drawer runners
- Light-weight aluminium to a ± 13 mm tolerance, insuring proper positioning of the runner
- Positions runners for overlay and inset drawer fronts
- Install 1 to 4 runners in a single operation
- Use No. 5 vix bit to drill pilot holes for wood screws, or No. 14 vix bit for varianta screws
- 710 x 19 mm length designed to clear existing countertops

Item	Cat. No.
Drawer guide locating tool	001.34.200
Bit No. 5 (7/64")	001.42.030
Bit No. 14 (13/64")	001.42.020

Packing: 1 pc

Re-instated

23.07.10/3*

We reserve the right to alter specifications without notice.

Tools and Consumables

Section 13 | Page **21**