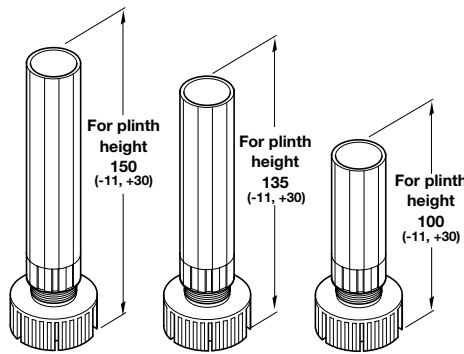


Dimensions in mm

**Discontinued** ●  
**Discontinued when stock = 0** +

- **J Foot and shaft sections**
- For plinth heights 100 mm, 135 mm, 150 mm
- With 40 mm adjustment
- Black plastic

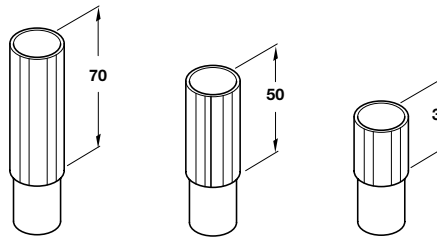


**J Foot and shaft sections**

For plinth height	Cat. No.
100 mm	● <del>637.65.311</del>
135 mm	● <del>637.65.312</del>
150 mm	● <del>637.65.313</del>

Packing: 1 pc

- **K Shaft extensions**
- Three extension heights available; 30 mm, 50 mm and 70 mm
- For use with foot and shaft sections
- Black plastic

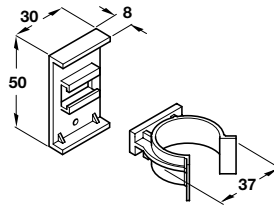


**K Shaft extensions**

Height	Cat. No.
30 mm	● <del>637.65.323</del>
50 mm	● <del>637.65.325</del>
70 mm	● <del>637.65.327</del>

Packing: 1 pc

- **L Plinth clip and bracket**
- Standard version
- Black plastic



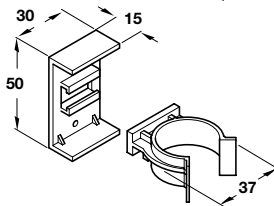
**L Plinth clip and bracket**

Cat. No.	<del>637.65.380</del>
----------	-----------------------

Packing: 1 pc

**Re-instated**

- **M Plinth clip and bracket**
- Extended length to give extra space between leg and plinth
- Black plastic



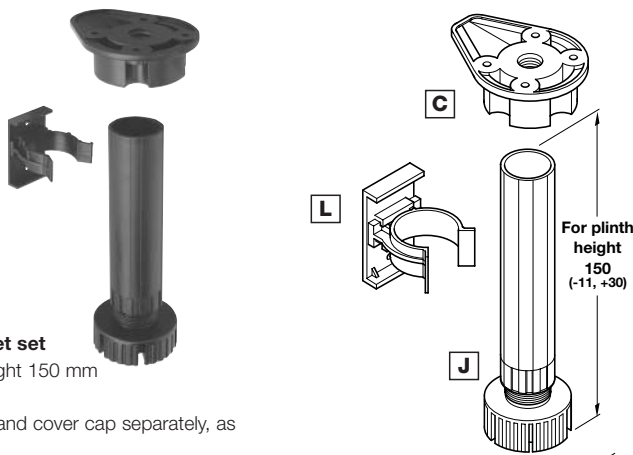
**M Plinth clip and bracket**

Cat. No.	<del>637.65.381</del>
----------	-----------------------

Packing: 1 pc

**Re-instated**

- **N Plinth feet set**
- For plinth height 150 mm
- Black plastic
- Order screw and cover cap separately, as required

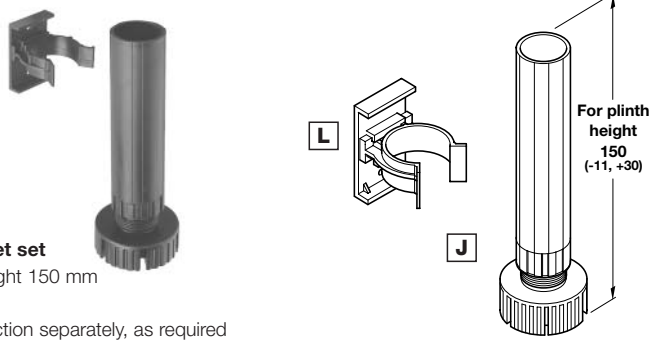


**N Plinth feet set**

Item	No. of items included:
<b>C</b> Top section	4 pcs
<b>J</b> Foot and shaft	4 pcs
<b>L</b> Plinth clip and bracket	2 pcs
Cat. No.	● <del>637.65.333</del>

Packing: 1 set

- **O Plinth feet set**
- For plinth height 150 mm
- Black plastic
- Order top section separately, as required



**O Plinth feet set**

Item	No. of items included:
<b>J</b> Foot and shaft	4 pcs
<b>L</b> Plinth clip and bracket	2 pcs
Cat. No.	● <del>637.65.343</del>

Packing: 1 set

We reserve the right to alter specifications without notice.