

**FITTING INSTRUCTIONS – NOTICE DE POSE – MONTAGE HANDLEIDING –
MONTAGEANLEITUNG ISTRUZIONI DI MONTAGGIO – INSTUCCIONES DE MONTAJE**

Warranty. This product is covered by a 10 year manufacturer's warranty. Please see the P C Henderson website for terms and conditions

WATCH THE INSTALLATION VIDEO

Visit: www.pchenderson.com/imperial-installation
Or scan the QR code using your phone



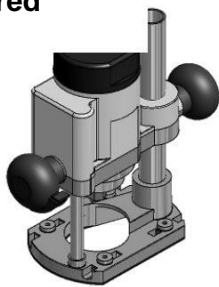
Specification

Maximum Door Height = 2400mm

Maximum Door Weight = 200kg

Maximum Door Thickness = 56mm

Tools Required



Router



Power
Drill



Tape Measure



Posi
Screwdriver



Spirit Level

Kit Contents



1 x Lock Kit
1 x Keep Plate
(Not included in Slave Door Kit)



2 x Imperial 200kg
Bottom roller



2 x 106SS/94
Guide



1 x 915B Bronze
Rail



2 x Floor
Stop



2 x Interlocker
2.4 Mtr



1 x 94P Polypropylene
Channel

Optional Accessories



Locking and Non
Locking D Handle

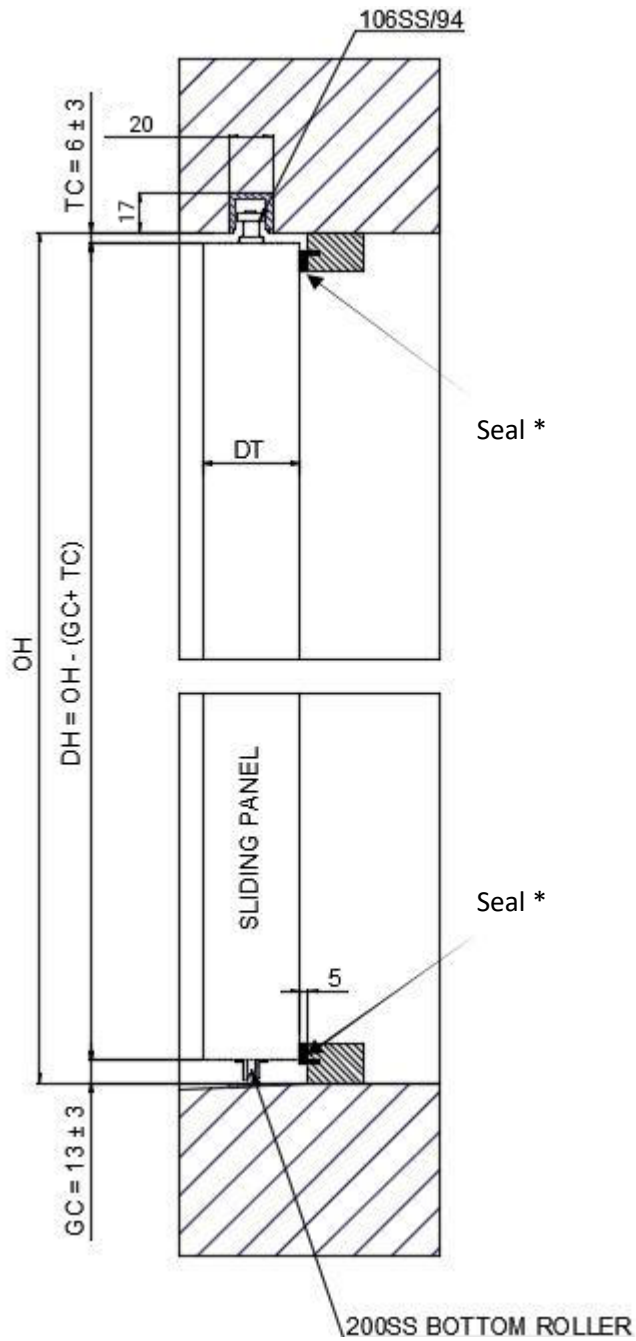


Locking
Cylinder

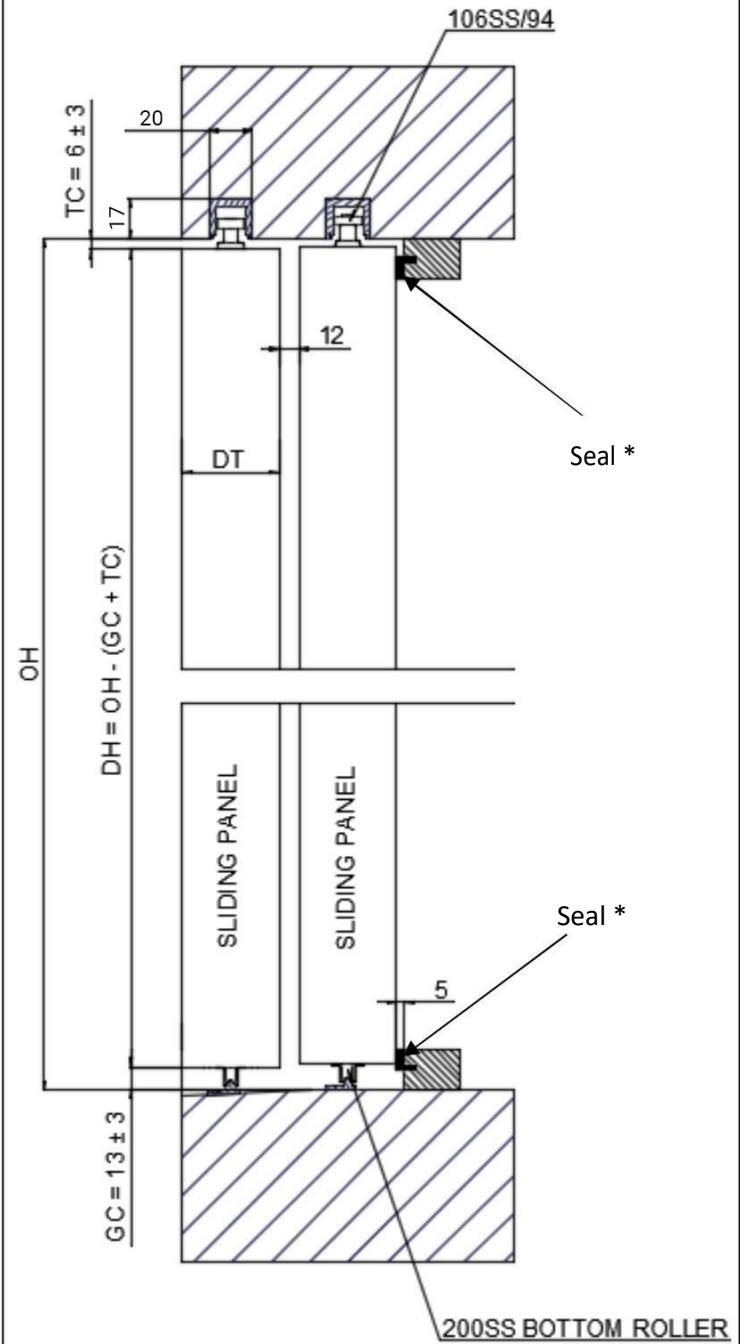
Calculating Door and Opening Heights

One Fixed and One Sliding Panel

Central Meeting Panels



One Fixed and Two Sliding Panels



KEY

DH = Door Height

OH = Opening Height

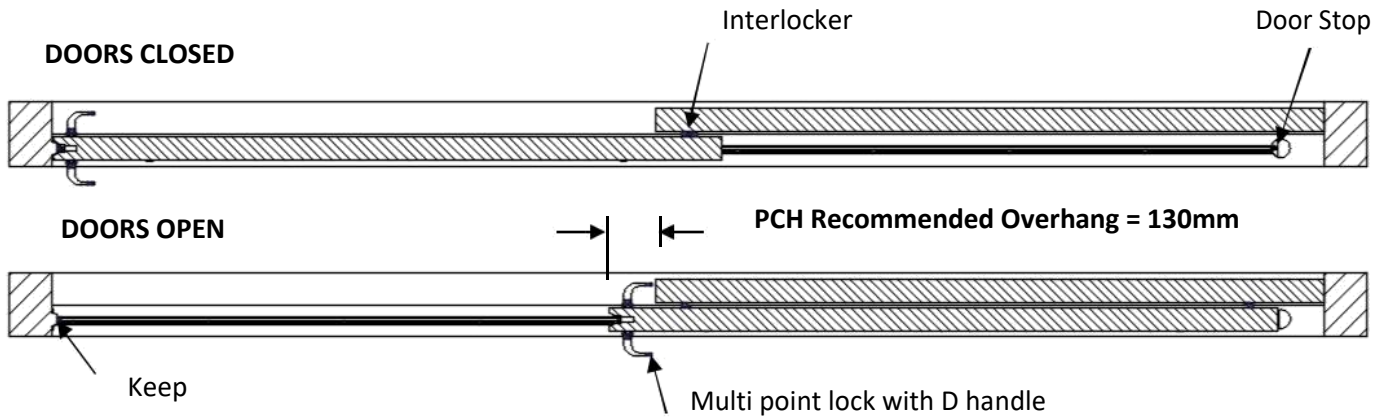
GC = Ground Clearance

TC = Top Clearance

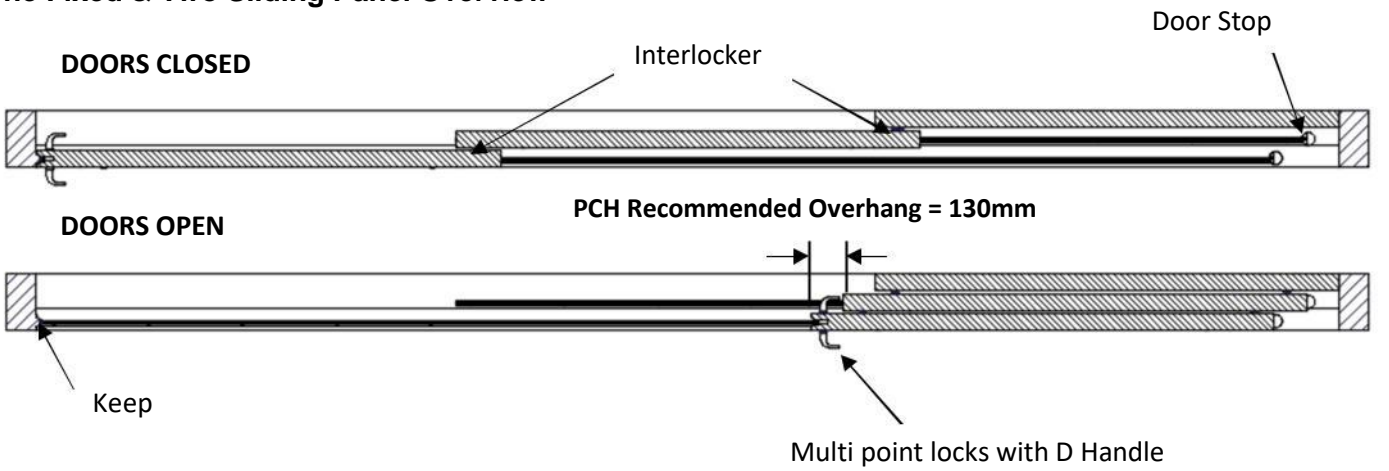
* = Not included in kit

PCH recommend a minimum door stile of 150mm

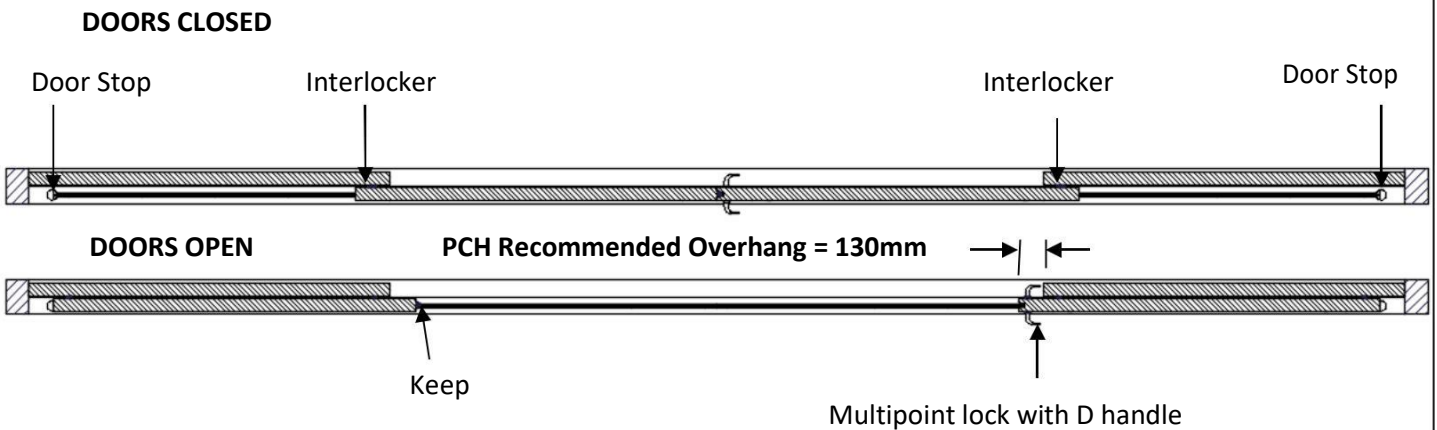
One Fixed & One Sliding Panel Overview



One Fixed & Two Sliding Panel Overview

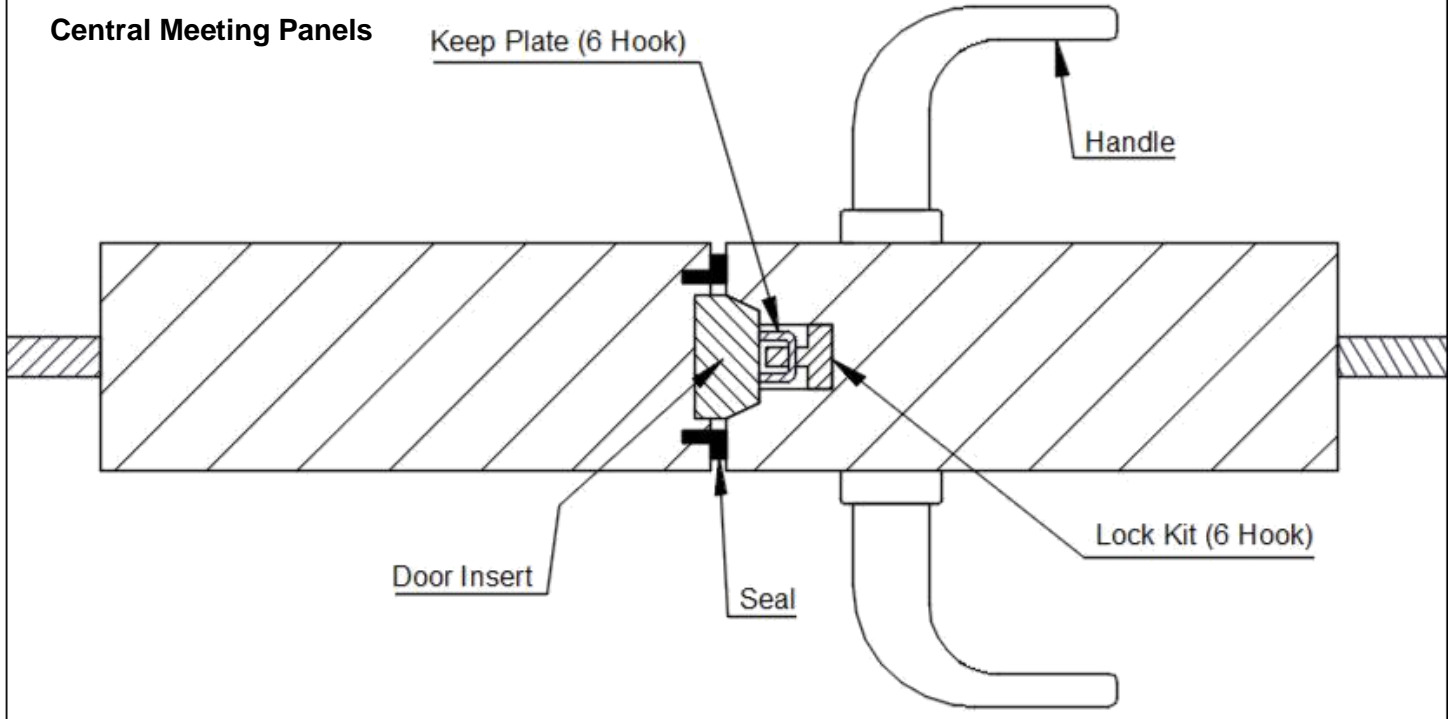


Central Meeting Panel Overview



Component Overview

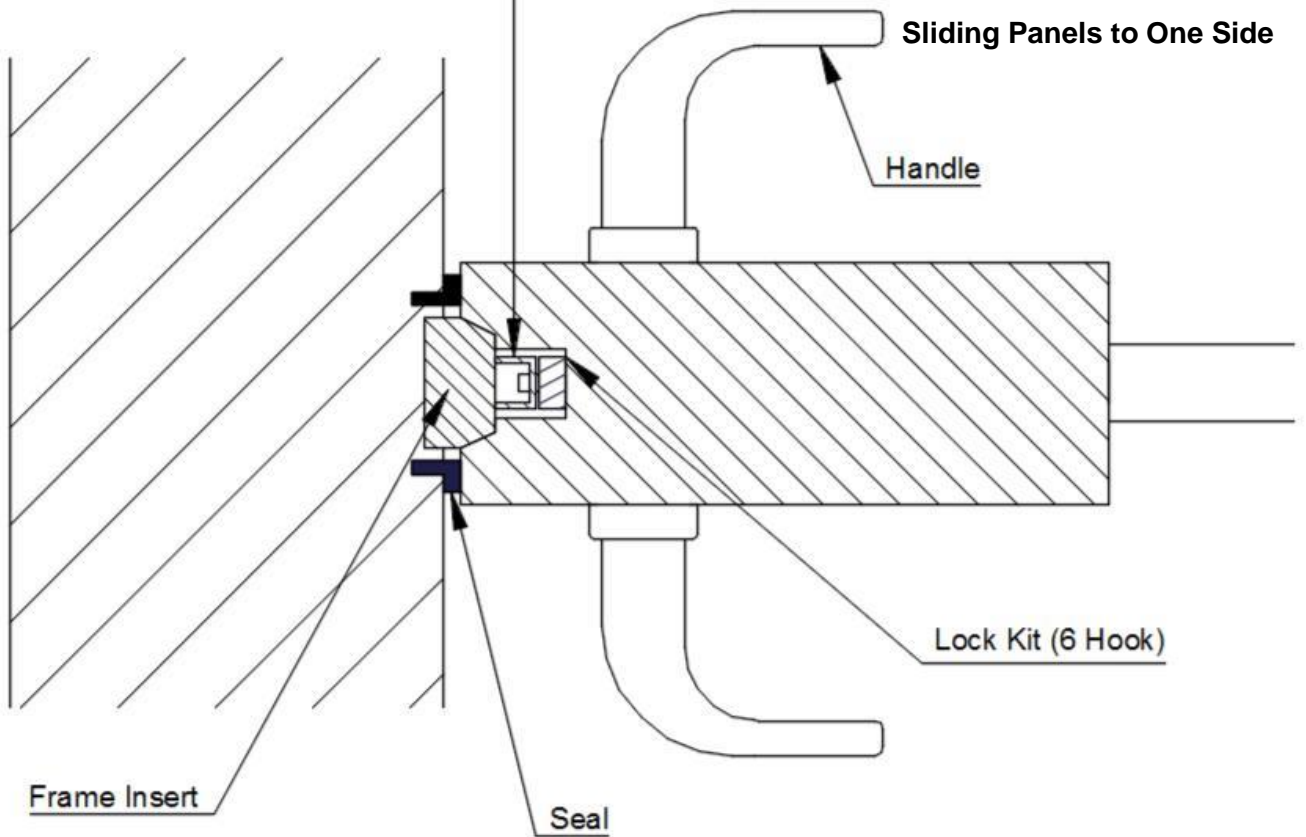
Central Meeting Panels



Keep Plate (6 Hook)

Component Overview

Sliding Panels to One Side



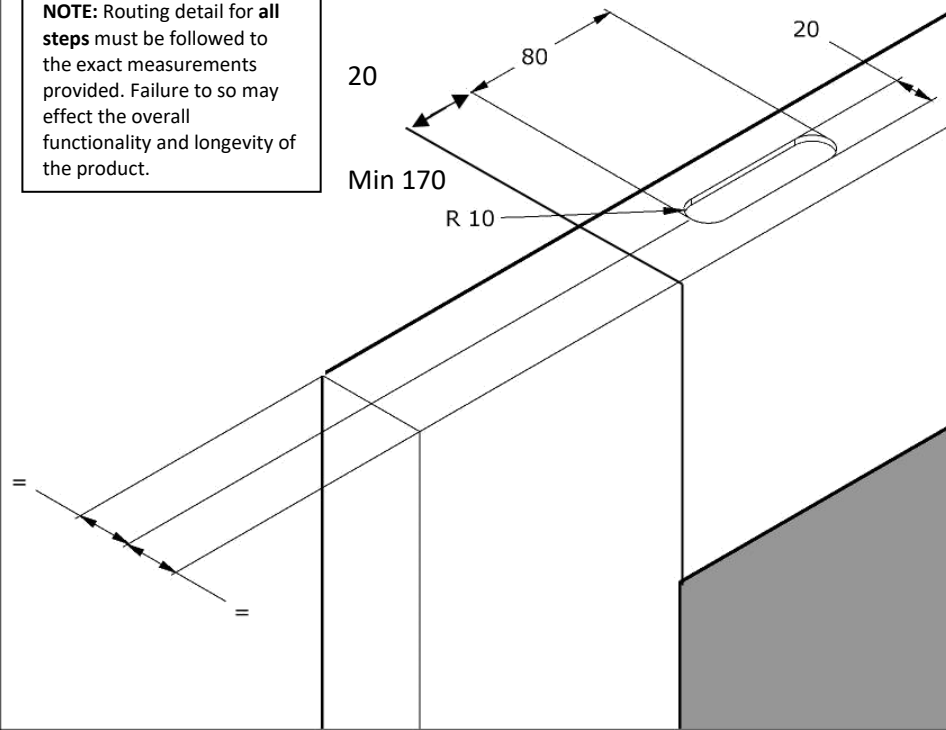
Frame Insert

Seal

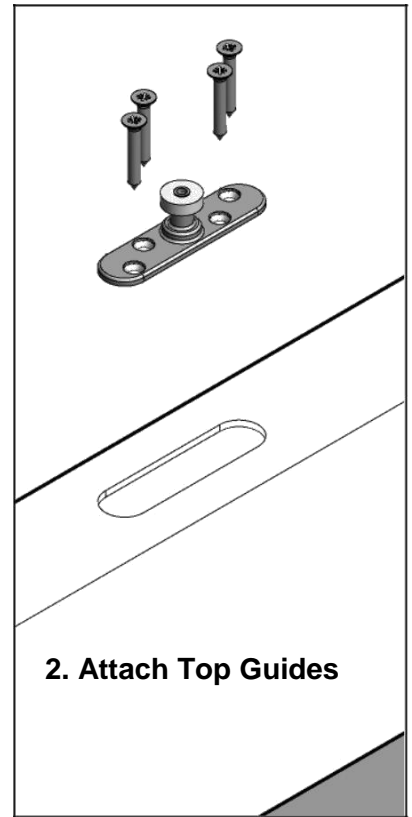
Lock Kit (6 Hook)

1. Routing detail for top guide

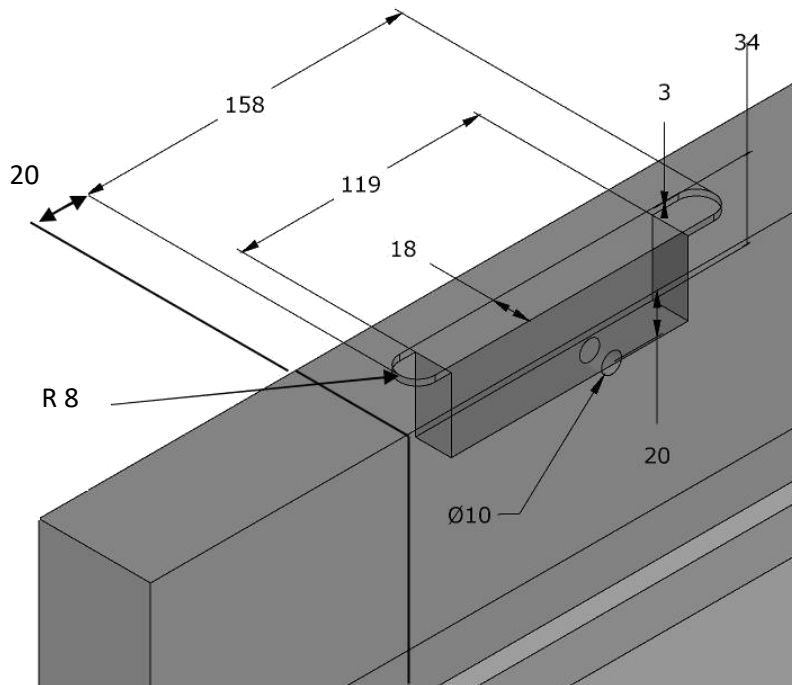
NOTE: Routing detail for all steps must be followed to the exact measurements provided. Failure to do so may effect the overall functionality and longevity of the product.



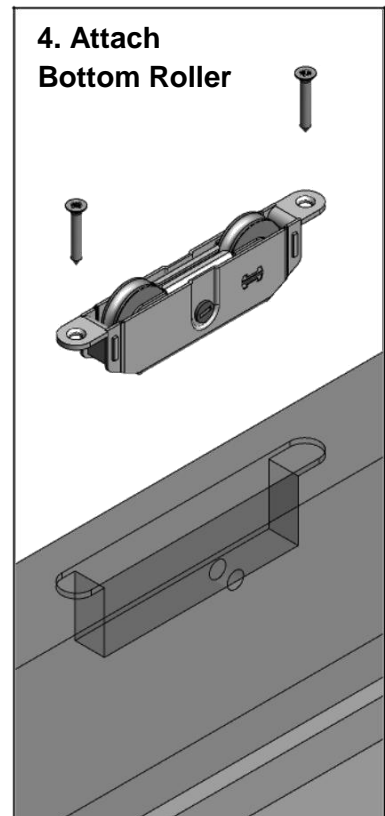
2. Attach Top Guides



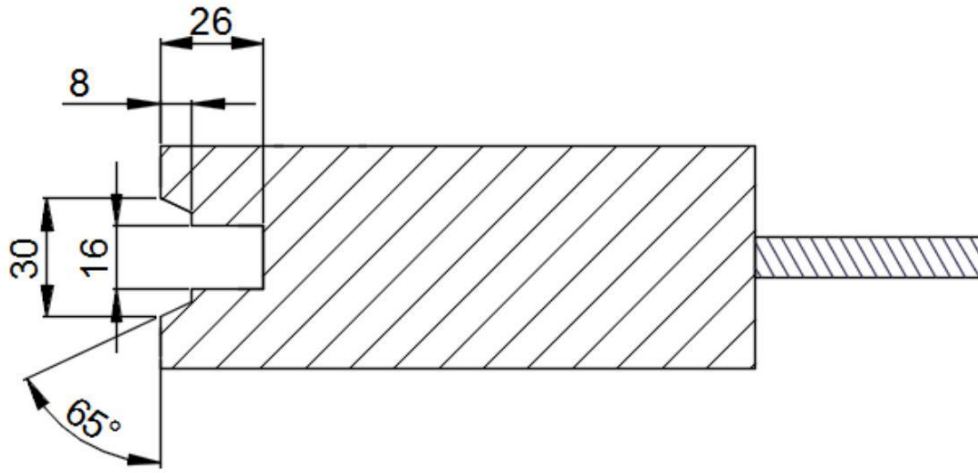
3. Routing detail for bottom roller



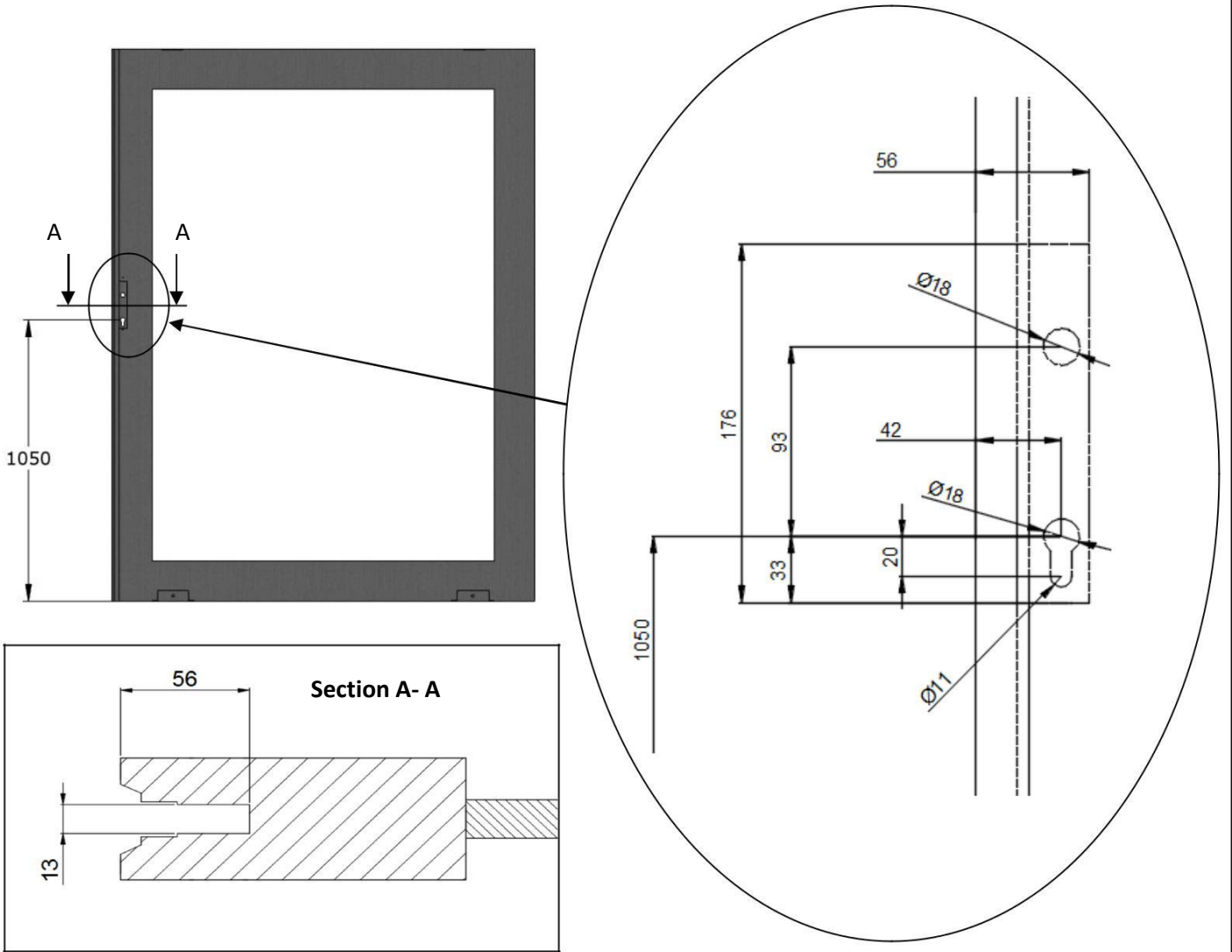
4. Attach Bottom Roller



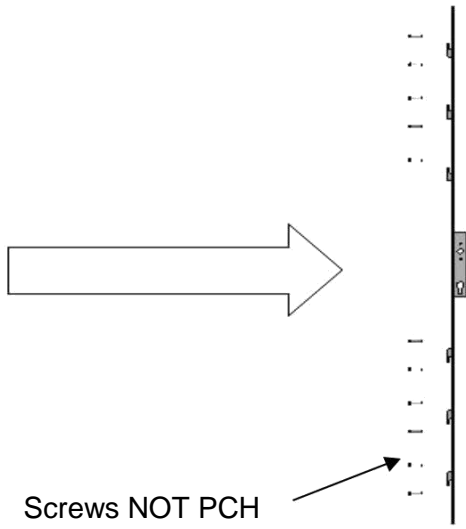
5. Locking bar routing detail (full height)



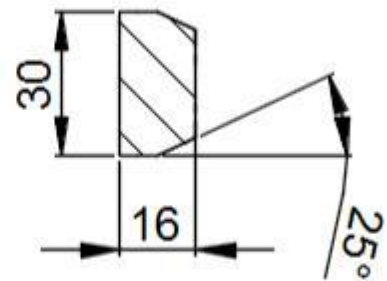
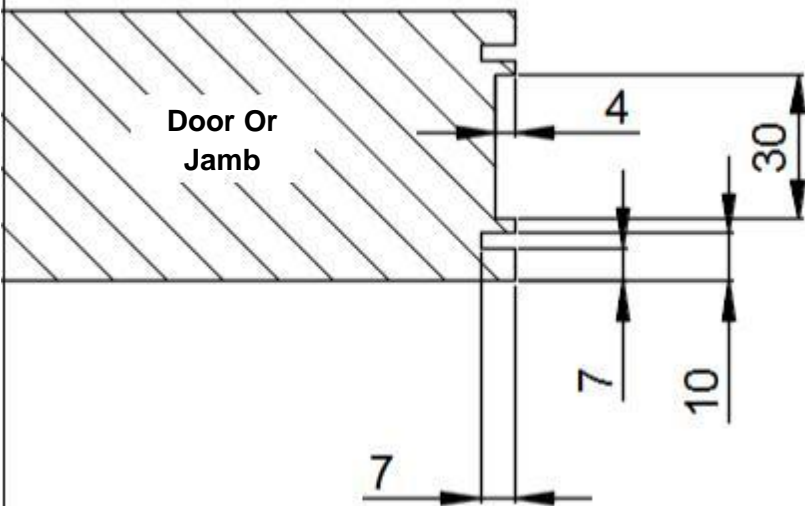
6. Locking bar routing detail



7. Locking bar & handle installation

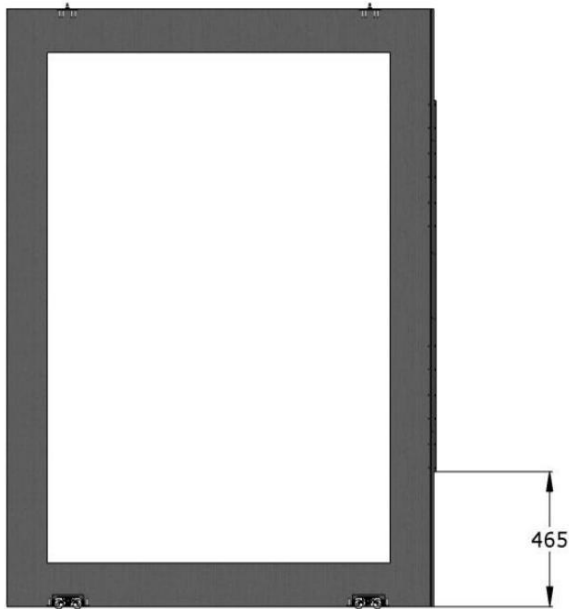


8. Keep location routing detail (full height)

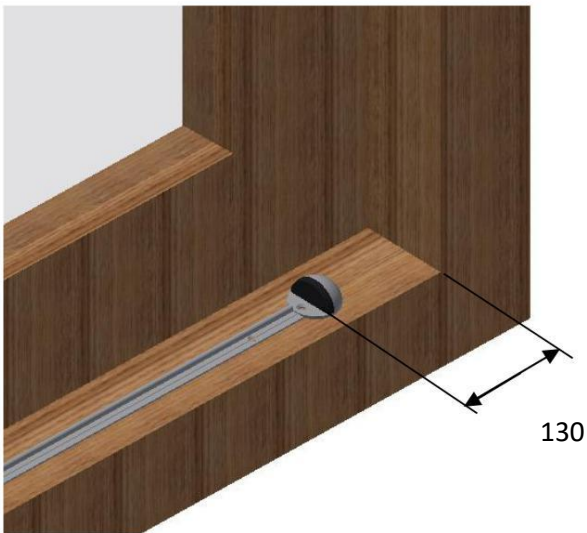
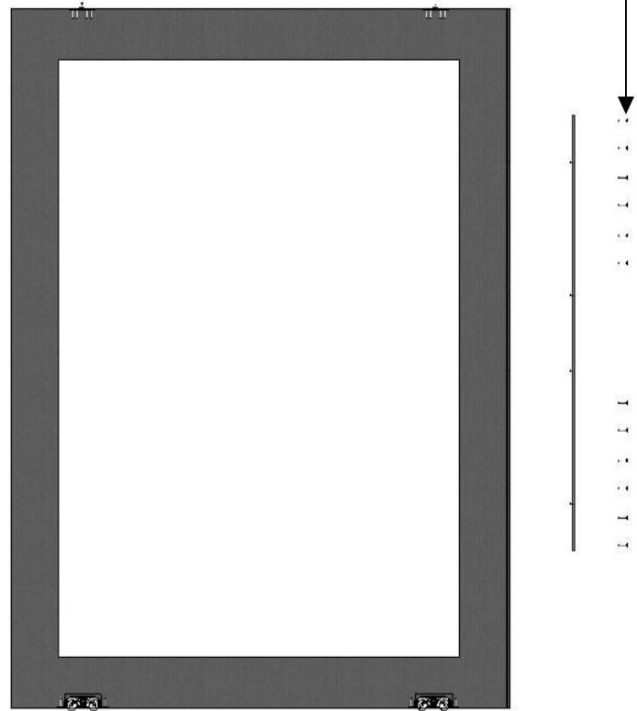


Door Insert

9. Keep position & installation (on central meeting doors), for fixed panel installation attach keep to timber jamb



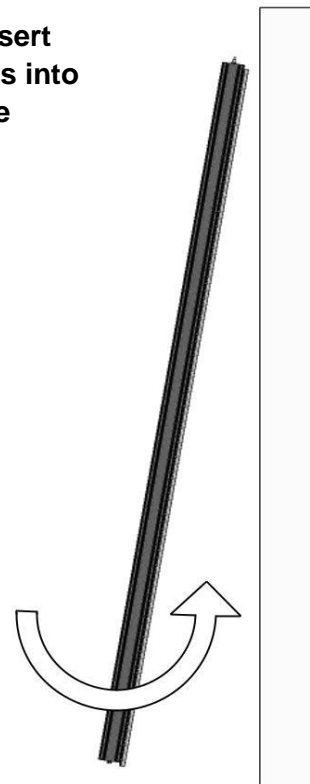
Screws NOT PCH



10. For track and channel installation detail see Imperial 200SS Bottom Roller fitting instructions.

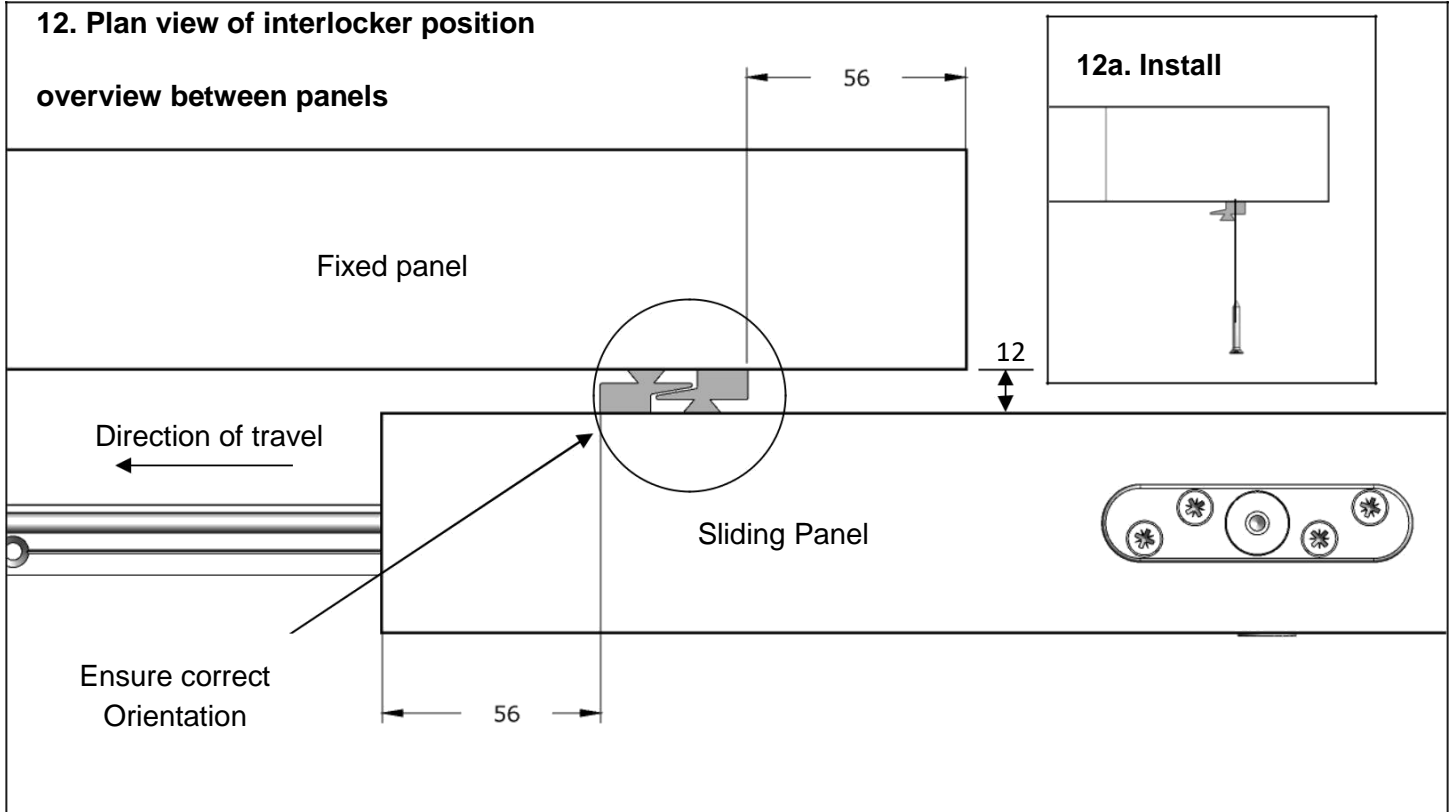
10a. Reduce rail and channel length by 130mm to locate door stops top and bottom (see overview)

11. Insert Panels into Frame

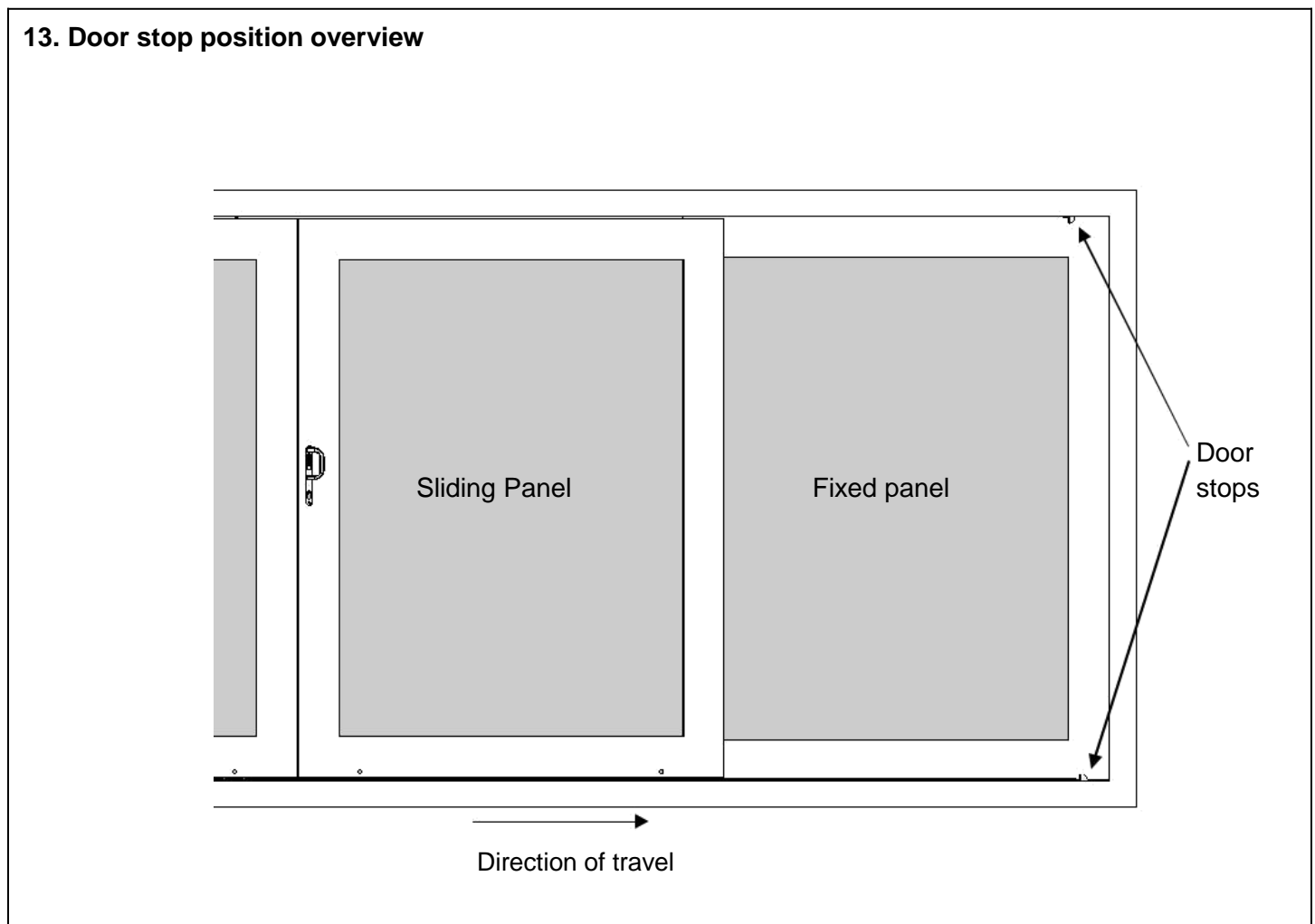


12. Plan view of interlocker position

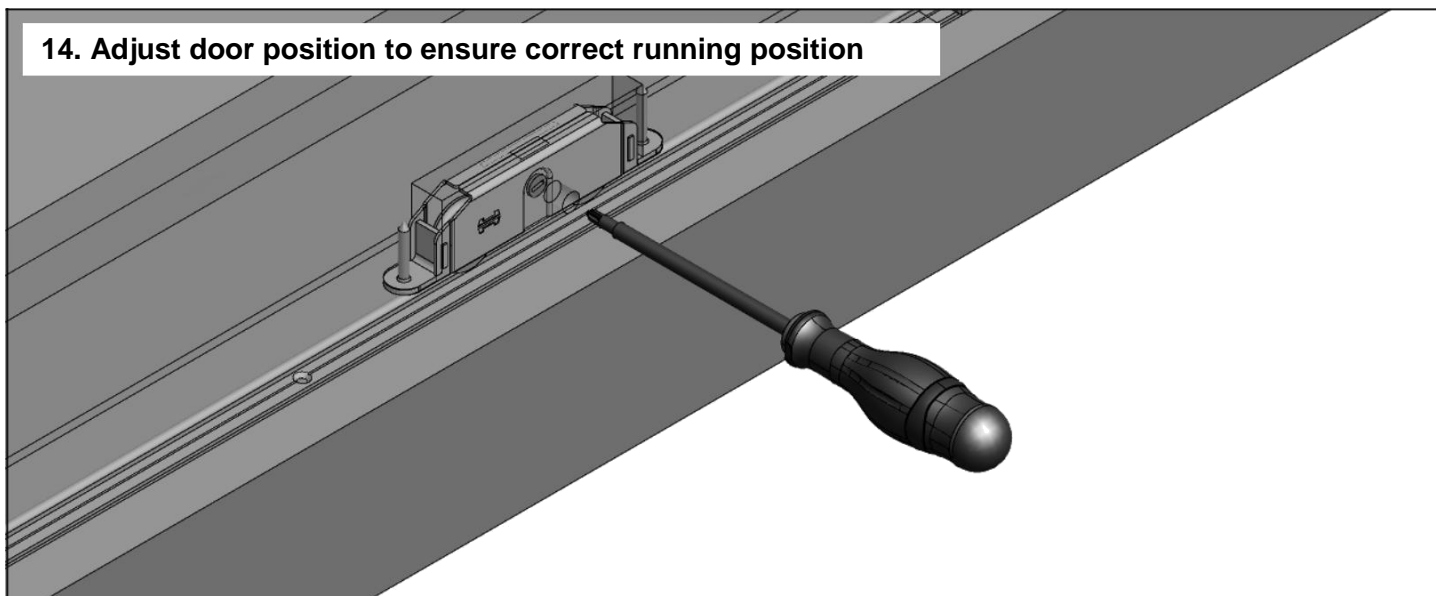
overview between panels



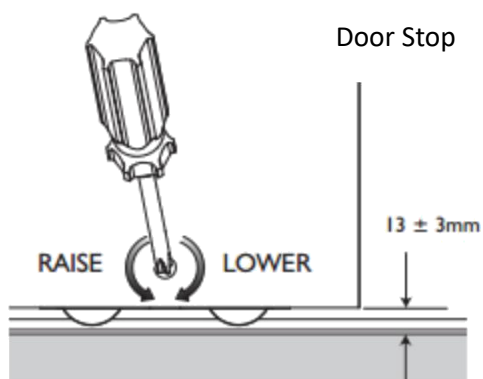
13. Door stop position overview



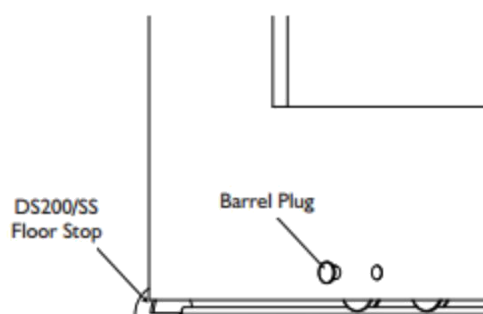
14. Adjust door position to ensure correct running position



Bottom roller adjustment



Locate plugs



P C Henderson Ltd, Durham Road, Bowburn, Co. Durham, DH6 5NG, UK

UK Sales

t: +44 (0) 191 377 7345

e: sales@pchenderson.com

w: www.pchenderson.com

Export Sales

t: +44 (0) 191 377 7346

e: international@pchenderson.com

w: export.pchenderson.com

600799

LVL 09

SEPTEMBER 2019



UK Registered Address: P C Henderson Ltd, Durham Road, Bowburn, Co. Durham, DH6 5NG

Republic of Ireland Registered Address: P C Henderson Ltd, Westlink Industrial Estate, Kylemore Road, Dublin 10, Ireland

Holland Registered Address: Henderson Nederland BV, Rootven 14, 5531 MB, Bladel