



12 Year Mechanical Guarantee
Delivering peace of mind from the world's favourite lock company



BS EN 1670
British Standards Institute accredited anti-corrosion performance



Secured by Design
Police preferred specification accredited security product of the official UK Police flagship initiative, supporting the principles of 'designing out crime'



PAS 24 Compliant
British Standards Institute accredited in security



Made in Britain
Yale Doors and Windows are members of Made in Britain, which champions British manufacturing by encouraging and developing the supply chain of UK made goods

Maintenance

- Yale Rapide Window Lock comes lubricated for life.
- Ensure the lock is free from any building materials and debris, which could affect the mechanism
 - Yale Rapide can be cleaned using detergent liquids or aerosol based cleaners

Material Specification

Aluminium alloy (Grade 6063 - T6) with a natural silver anodised finish to AA5.
Die cast components: Material zinc alloy (Grade ZL2). Finish - plated with zinc passivate.
Plastic mouldings: Material - black acetyl.
Assembly pins: Material - ferritic Stainless Steel.
Gears: material - Mild steel. Finish - plated with zinc passivate.

Packaging

Locks: Boxed in quantities of 10
Keeps: Boxed in quantities of 200

THE YALE BRAND, with its unparalleled global reach and range of products, reassures more people in more countries than any other consumer locking solution.

THE ASSA ABLOY GROUP is the world's leading manufacturer and supplier of locking solutions, dedicated to satisfying end-user needs for security, safety and convenience.

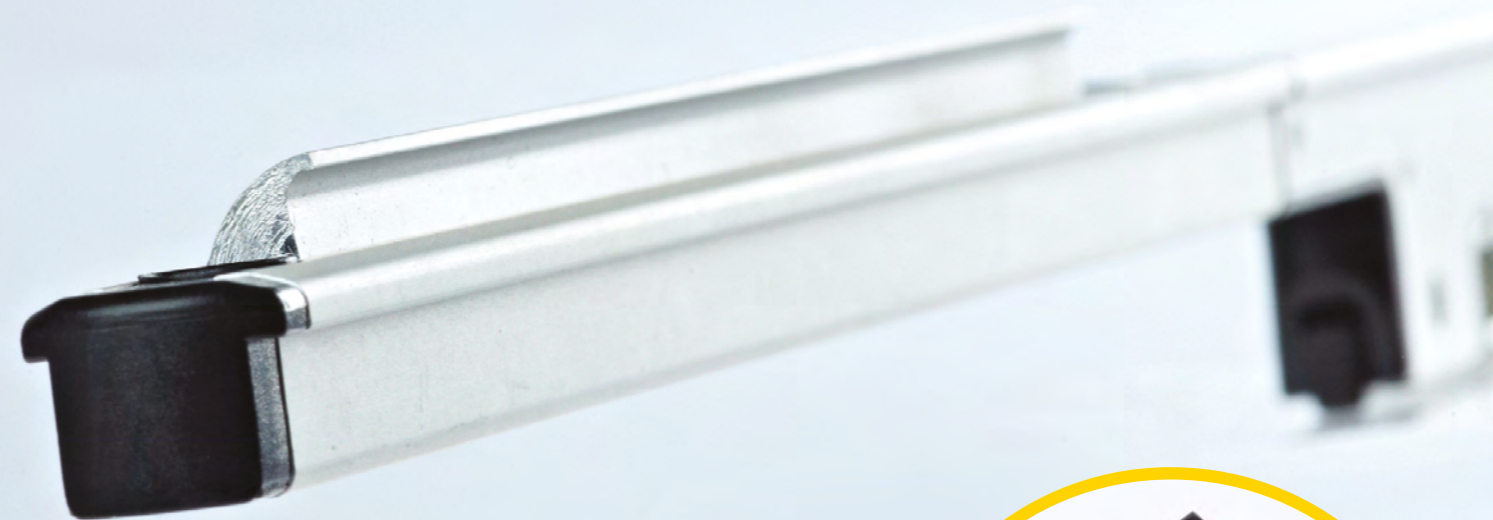
Yale
School Street, Willenhall, West Midlands WV13 3PW, UK
T: 01902 366800 F: 01902 369041
www.yaledws.co.uk

Due to a continuous programme of development the company reserves the right to make alterations without notice.
(Products which are not a stocked item will be subject to a longer lead time which needs to be agreed with your Yale representative).

© Yale, April 2018

Yale Rapide

At the forefront of window lock technology



- Easy to fit
- Increased strength
- Greater tolerances
- High corrosion resistance
- 12-year mechanical guarantee
- Made in Britain

Yale Rapide is the window lock leading the way in security. It redefines expectations of performance and delivers additional benefits to fabricators, installers and consumers, whilst still delivering the peace of mind expected from the world's favourite lock company.

Delivering improved efficiencies in manufacturing, higher tolerances and reduced call backs, as well as incredibly smooth operation and no loss of weather-proofing performance - ever, Yale Rapide is the lock that has reset the bar for window hardware performance.

The definition of security and performance

Yale Rapide offers greater lock engagement for additional security as it connects along the full length of the keep. Plus, unlike other window locks, Yale Rapide's aluminium channel uses the full depth of the eurogroove to enhance the strength of the window.

Tested to BS EN 1670 Grade 5 (480 hours NSS) and endurance tested to 30,000 cycles, Yale Rapide comes with all the assurance you would expect. Exceeding PAS 24 requirements, the lock also comes with Secured by Design accreditation. Yale Rapide even comes with Yale's 12 year mechanical guarantee for complete peace of mind.



Robust aluminium construction

- Outstanding anti-corrosion performance
- Suitable for aggressive environments
- Enhances service life expectancy
- Supported by 12 year mechanical guarantee
- Uses full eurogroove to enhance window strength

Easy to fabricate

- Keeps can be fitted at any time and do not need marking, greatly increasing manufacturing efficiencies
- An ingenious reversible gearbox means handling considerations are a thing of the past
- Fewer fixings than other window locks, for faster fitting
- One Rapide height suits all applications, reducing stock holding for multi-system users

Simple to install

- A fully retracting blade delivers greater clearances
- The unique geometry and precision engineering eliminates cam clash issues
- The rotating action and keep engagement eliminates wear

Ready to specify

- With Secured by Design and BS EN 1670 Grade 5 accreditation, exceeding PAS 24 requirements, Yale Rapide has all the credentials you would need and want
- Available in an offset variant where lower placed handles are necessary, aiding compliance with the Lifetime Homes Design Guide

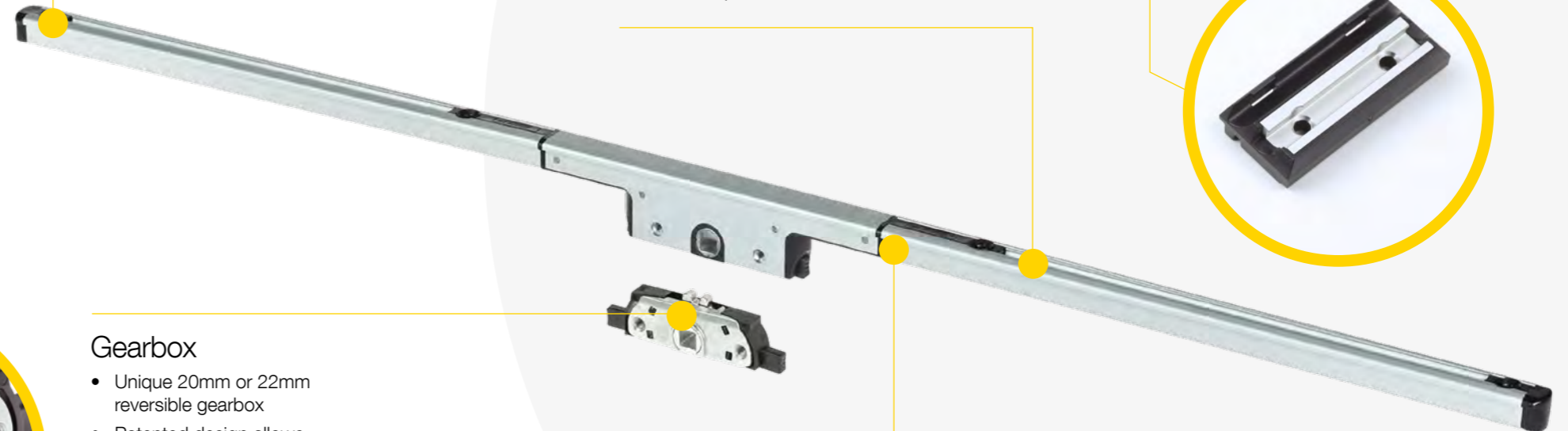
Keeps

- Quick and simple to fit during fabrication
- Full lock engagement for optimum security
- No marking and less fixings required
- Adjustable keeps now available
- Reversible insert provides 1mm compression adjustment



Precision-engineered blade

- Rotating action dramatically reduces wear
- Eliminates loss of compression performance
- Lock engagement along the full length of the keep



Gearbox

- Unique 20mm or 22mm reversible gearbox
- Patented design allows for easy maintenance

Flexible

- Suitable for sash sizes from 220mm to 1629mm
- One Yale Rapide height suits all profile systems
- Offset variant for lower handle height requirements